

It is recommended to use marked and certified Structural Points in accordance with EN 795.

- NOTE: Maintain the required free distance under the workplace in accordance with the instructions for use of shock absorbers and auxiliary lanyards.

- When there is a risk of using a lanyard above the edge of the roof, take appropriate precautions before starting work.

- While working, ensure minimal deflection of the lanyard.

- To avoid the risk of falling, when adjusting the length of the safety lanyard, do not stay in the fall risk area.

- During use, note that the lanyard does not loop around the neck or other limbs, because of the risk of strangulation or limb injury.

- Before or during use, take into account the procedure of a potential rescue operation.

- Do not use a lanyard with devices other than the shock absorbers, safety harnesses and fastening equipment.

- Store the lanyard in a dry and ventilated place, away from sunlight, in conditions which prevent from soiling or mechanical, chemical or thermal damage. Before the first release for use the lanyard must be stored in manufacturer's packaging.

- The lanyard can be washed in water at max. 60°C with a small amount of mild detergent. Dry while hanging in a place away from heat sources.

- The device must be transported in packaging (e.g. in bags made of impregnated fabric, plastic bags, plastic or steel boxes), protecting it against moisture and against mechanical and chemical damage.

- It is forbidden to perform any unauthorised repairs or modifications.

IT IS THE RESPONSIBILITY OF THE USER ORGANISATION TO PROVIDE THE IDENTITY CARD AND TO FILL IN THE DETAILS REQUIRED.

THE IDENTITY CARD SHOULD BE FILLED IN BEFORE THE FIRST USE BY A COMPETENT PERSON, RESPONSIBLE IN THE USER ORGANIZATION FOR PROTECTIVE EQUIPMENT.

ANY INFORMATION ABOUT THE EQUIPMENT LIKE PERIODIC INSPECTIONS, REPAIRS, REASONS OF EQUIPMENT'S WITHDRAWN FROM USE SHALL BE NOTED INTO THE IDENTITY CARD BY A COMPETENT PERSON.

THE IDENTITY CARD SHOULD BE STORED DURING A WHOLE PERIOD OF EQUIPMENT UTILIZATION.

DO NOT USE THE EQUIPMENT WITHOUT THE IDENTITY CARD.

ALL RECORDS IN THE IDENTITY CARD CAN BE FILLED IN ONLY BY A COMPETENT PERSON.

IDENTITY CARD

MODEL AND TYPE OF EQUIPMENT			
REF. NUMBER			
SERIAL NUMBER		DATE OF MANUF.	
USER NAME			
DATE OF PUTTING INTO OPERATION			
DATE OF PURCHASE			

PERIODIC EXAMINATION AND REPAIR HISTORY

	DATE	REASON FOR PERIODIC EXAMINATION OR REPAIR	DEFECTS NOTED, REPAIRS CARRIED OUT AND OTHER RELEVANT INFORMATIONS	NAME AND SIGNATURE OF COMPETENT PERSON	PERIODIC EXAMINATION NEXT DUE DATE
1					
2					
3					
4					

EC type examination carried out by Central Institute for Labor Protection National Research Institute, ul. Czerniakowska 16, 00-701 Warsaw, Poland PROTEKT, 93-403 LODZ, Poland ul. Starorudzka 9, TEL.: (+48 42) 680 20 83, FAX: (+48 42) 680 20 93, e-mail: protekt@protekt.com.pl



Instruction manual

Read the operating manual before use.

CE 0082

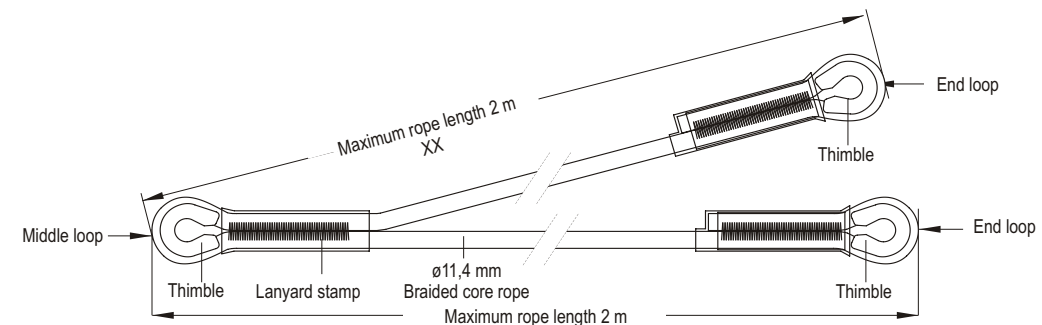
EN 354:2010

PROTEKT SAFETY LANYARD LB 202 FLR

- Double safety lanyard LB FLR 202 can be used as a component of personal protective equipment against falls from a height in accordance with EN 354.
- A fastening and shock absorbing assembly comprising a safety lanyard connected to a shock absorber according to EN 355, connected to the safety harness complying with EN 361 and attached to a fixed structural point in accordance with EN 795, is a comprehensive, basic protection for workers against falls from height.
- Double safety lanyard LB FLR 202 can be used as a component of personal protective equipment used for positioning while working and arresting falls from height, according to EN 358 as a work positioning lanyard.
- Lanyards LB FLR 202 were tested for resistance to fire (EN 358 section 4.1.5) burning maintenance time below 5 s, and may be used in course of so-called hot works, such as welding, metal cutting etc.

CONSTRUCTION

- Double safety lanyards LB FLR 202 are made of braided core rope with \varnothing 11.4 mm. The core is made of polyamide, aramid fibre braid. The ends of the rope are made in the form of a sewn loops (one middle and two end loops) with thimbles.



NOTE!

Double safety lanyard can be used only with a certified snap hook in accordance with EN 362.

DESCRIPTION OF MARKING

Device type **SAFETY LANYARD**

Device reference no. **LB 202 FLR xx**

Length: x,x m

Serial no: 0000002

Lanyard serial no.

Month and year of manufacture

Date of manufacture: 04.2011

No. and year of a European standard the requirements which the device meets

EN 354:2010

Note: before use, read the instructions for use



*) xx indication of the length of the device,
e.g. xx = 05 length 0.5 m;
xx = 20 length 2.0 m

CE mark and number of the notified body responsible for the inspection of the equipment's manufacturing process (Article 11)

CE 0082

Indication of the manufacturer or distributor

PROTEKT

APPLICATION OF LANYARD LB202 FLR IN FALL PROTECTION SAFETY EQUIPMENT

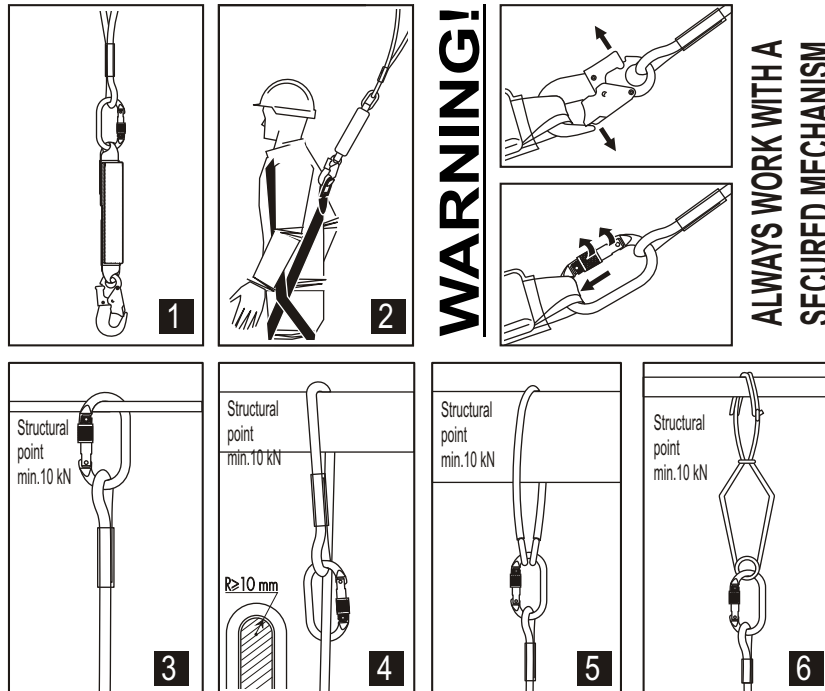
1. Connect the middle loop of the lanyard LB 202 FLR with a shock absorber compliant with PL-EN 355-[1]
2. Attached the resulting fastening absorbing component (lanyard LB FLR 202 + shock absorber) to the attachment point of the harness compliant with PL-EN 361-[2]

Do not attach safety shock absorbers to end loops.

NOTE: The total length of shock absorber with lanyard cannot exceed 2m.

3. Attach the snap hook of the end loop to the structural point with minimum 10 kN static strength in accordance with PL-EN 795:

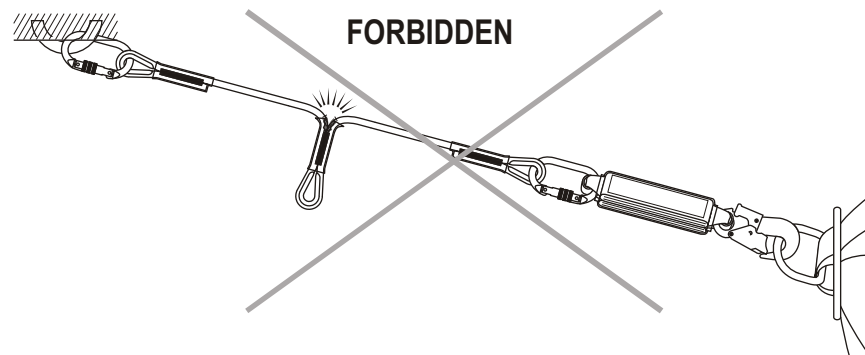
- directly [3], [4]
- using a connecting lanyard [4] or a pipe anchor [5]



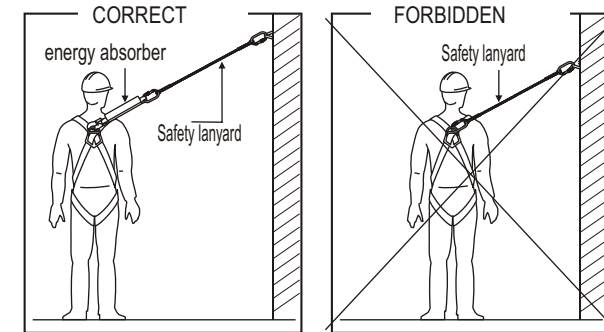
NOTE: The free end (not attached to the structure) of the double safety lanyard may not be attached to safety harness.

NOTE: Do not use lanyard LB202 FLR in configurations other than shown above.

NOTE: Do not attach one end loop to the safety shock absorber and the other end loop to the structural point. See figure below.



Double safety lanyard LB 102 without a safety shock absorber is not a fastening and shock absorbing component and cannot be used as protection equipment against falls from height. It is forbidden to connect the safety harnesses with a structural point using safety lanyard LB 202 FLR without a shock absorber. See figure below.



PRINCIPLES FOR PROPER WORKING WITH SAFETY LANYARD

- Safety lanyard must be used people trained to work at height.
 - Safety lanyard is personal protective equipment and it should be used by one person.
 - The health condition of the person operating the personal protective equipment against falls from a height cannot adversely affect the safety of the user during work or rescue operation.
 - Before each use of the lanyard carry out thorough visual inspection of all components (snap hooks, ropes, thimble and seams) for mechanical, chemical and thermal damage. Inspection must be carried out by a person operating the lanyard. If damage is discovered the lanyard must be withdrawn from use. The lanyard should also be withdrawn from service and sent to the manufacturer for the assessment of suitability for further use, if there are any doubts as to the correct condition of the lanyard.
 - During the period of use carry out thorough inspections every year from the date of releasing the lanyard for operation. Visual inspection applies to all components of the device (rope, thimbles, seams and snap hooks) for mechanical, chemical and thermal damage. Visual inspection of the lanyard and the confirmation thereof in the Service Chart is carried out by a person authorized person responsible in the workplace for safety equipment, manufacturer or an authorized representative of the manufacturer.
 - The useful life of lanyard LB 202 FLR may be reduced, if the lanyard is used in adverse weather conditions (e.g. high humidity) or with frequent use, which may lead to the premature wear of materials.
 - Withdrawal from use along with confirmation in the Service Chart is carried out by a person responsible in the workplace for safety equipment.
- The lanyard must be withdrawn from service and destroyed (physically), if:
- more than 5 years have passed from the date of the first release for use;
 - mechanical, chemical or thermal damage to components of the lanyard was discovered;
 - the lanyard has been involved in arresting a fall.
- Safety lanyard can be used for 5 years from the date of its first release for use. After 5 years, the lanyard must be withdrawn from service and destroyed (physically). Withdrawal from use along with confirmation in the Service Chart is carried out by a person responsible in the workplace for safety equipment.
- Before each use of protective equipment against falls from a height, the component of which is lanyard LB 102, check whether all components are properly connected to each other and cooperate with other components without interruption and are compatible with current standards:
 - EN 361 for safety harnesses;
 - EN 355 for safety shock absorbers;
 - EN 795 for coupling devices.
 - During use, the lanyard must be protected from contact with oils, solvents, acids, bases, open flame, hot metal splashes and sharp objects. If in any doubt about the conditions under which the lanyard is to be used, please refer to the manufacturer to determine the applicability of the lanyard in these conditions.
 - A structural point to which the safety lanyard is attached, must have a minimum strength of 10 kN and must be located above the work position and its construction must prevent from sliding or spontaneous slipping of the safety lanyard.