

- a full body harness (conforming to EN 361) is the only acceptable body holding device that can be used in a fall arrest system.
- in full body harness use only attaching points marked with big letter "A" to attach a fall arrest system.
- the anchor device or anchor point for the fall arrest system should always be positioned, and the work carried out in such a way, as to minimise both the potential for falls and potential fall distance. The anchor device/point should be placed above the position of the user. The shape and construction of the anchor device/point shall not allowed to self-acting disconnection of the equipment. Minimal static strength of the anchor device/point is 12 kN. It is recommended to use certified and marked structural anchor point complied with EN795
- it is obligatory to verify the free space required beneath the user at the workplace before each occasion of use the fall arrest system, so that, in the case of a fall, there will be no collision with the ground or other obstacle in the fall path. The required value of the free space should be taken from instruction manual of used equipment.
- there are many hazards that may affect the performance of the equipment and corresponding safety precautions that have to be observed during equipment utilization, especially: - trailing or looping of lanyards or lifelines over sharp edges, - any defects like cutting, abrasion, corrosion, - climatic exposure, - pendulum falls, - extremes of temperature, - chemical reagents, - electrical conductivity.
- personal protective equipment must be transported in the package (e.g.: bag made of moisture-proof textile or foil bag or cases made of steel or plastic) to protect it against damage or moisture.
- the equipment can be cleaned without causing adverse effect on the materials in the manufacture of the equipment. For textile products use mild detergents for delicate fabrics, wash by hand or in a machine and rinse in water. Plastic parts can be cleaned only with water. When the equipment becomes wet, either from being in use or when due cleaning, it shall be allowed to dry naturally, and shall be kept away from direct heat. In metallic products some mechanic parts (spring, pin, hinge, etc.) can be regularly slightly lubricated to ensure better operation.
- Other maintenance and cleaning procedures should be adhered to detailed instructions stated in the manual of the equipment.
- personal protective equipment should be stored loosely packed, in a well-ventilated place, protected from direct light, ultraviolet degradation, damp environment, sharp edges, extreme temperatures and corrosive or aggressive substances.

IT IS THE RESPONSIBILITY OF THE USER ORGANISATION TO PROVIDE THE IDENTITY CARD AND TO FILL IN THE DETAILS REQUIRED. THE IDENTITY CARD SHOULD BE FILLED IN BEFORE THE FIRST USE BY A COMPETENT PERSON, RESPONSIBLE IN THE USER ORGANIZATION FOR PROTECTIVE EQUIPMENT. ANY INFORMATION ABOUT THE EQUIPMENT LIKE PERIODIC INSPECTIONS, REPAIRS, REASONS OF EQUIPMENT'S WITHDRAWN FROM USE SHALL BE NOTED INTO THE IDENTITY CARD BY A COMPETENT PERSON. THE IDENTITY CARD SHOULD BE STORED DURING A WHOLE PERIOD OF EQUIPMENT UTILIZATION. DO NOT USE THE EQUIPMENT WITHOUT THE IDENTITY CARD. ALL RECORDS IN THE IDENTITY CARD CAN BE FILLED IN ONLY BY A COMPETENT PERSON.

## IDENTITY CARD

MODEL AND TYPE OF EQUIPMENT	REF. NUMBER
SERIAL NUMBER	DATE OF MANUF.
USER NAME	
DATE OF PURCHASE	DATE OF PUTTING INTO OPERATION

### PERIODIC EXAMINATION AND REPAIR HISTORY

DATE	REASON FOR ENTRY PERIODIC EXAMINATION OR REPAIR	DEFECTS NOTED, REPAIRS CARRIED OUT AND OTHER RELEVANT INFORMATIONS	NAME AND SIGNATURE OF COMPETENT PERSON	PERIODIC EXAMINATION NEXT DUE DATE

European certificate was issued by the CENTRAL INSTITUTE FOR LABOUR PROTECTION (CIOP), ul. Czerniakowska 16, 00-701 Warsaw, Poland, No. 1437

PROTEKT, 93-403 ŁÓDŹ, Starorudzka 9, POLSKA, www.protekt.com.pl



## Instruction manual

CAREFULLY READ THE INSTRUCTION MANUAL BEFORE USING THE DEVICE

EN 795:2012 typ B  
CEN/TS 16415:2013 type B  
89/686/EWG

Mobile anchor trolley DW100 is a component of the personal protective equipment against falls from a height complied with EN 795:2012 and TS16415:2013 as anchor device type B.

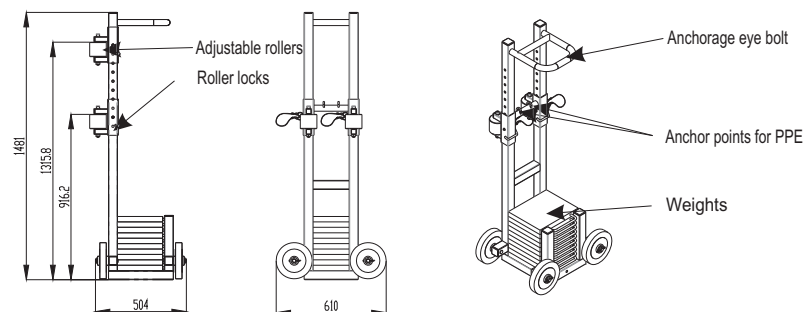
It is used for connecting a fall arrest system (e.g. energy absorber to lanyards, fall arresters, cables of fall arresters) in accordance with Directive of the European Parliament 2001/45/EC.

The device is suitable for protection of max. two persons.

### DESIGN

The device comprises steel frame equipped with adjustable rollers and wheels and steel weights.

The device is suitable for installation in openings with windows sills (e.g. windows)



### MARKING OF THE DEVICE

Marking of the yearly manufacturer's inspection



**PROTEKT** - marking of the manufacturer or distributor

DW100 - reference number

**CE 1437** - CE mark and notified body number inspecting the equipment manufacturing

EN 795:2012/B

CEN/TS 16415:2013 type B - number: year of issue of European standard / device type

89/686/EWG



- note: read the manual before using the equipment

max. 2 x  - admissible number of persons protected by DW100

"xx xxx xxx" - serial no.

mm/yyyy - manufacturing date

### MAXIMUM LIFETIME

Mobile anchor trolley DW100 lifetime is indefinite. Mobile anchor trolley DW100 maximum lifetime depends on the intensity of usage and the environment of usage. Using Mobile anchor trolley DW100 in rough environment, marine environment, contact with sharp edges, exposure to extreme temperatures or aggressive substances, etc. can lead to the withdrawal from use even after one use.

### PERIODICAL INSPECTION

At least once a year (after every 12 months of use) the mobile anchor trolley DW100 shall be subject to periodic inspection. Periodic inspections must only be carried out by a competent person who has the knowledge and training required for personal protective equipment periodic inspections. Every periodic inspection must be recorded in the Identity Card of the equipment.

### WITHDRAWAL FROM USE

The mobile anchor trolley DW100 shall be withdrawn from use and destroyed to avoid incidental reuse when:

- It has been used to arrest a fall.
- It fails to pass inspection. There are any doubt as to its reliability.

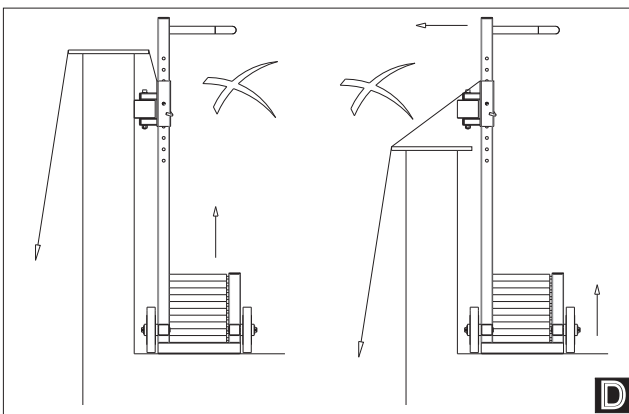
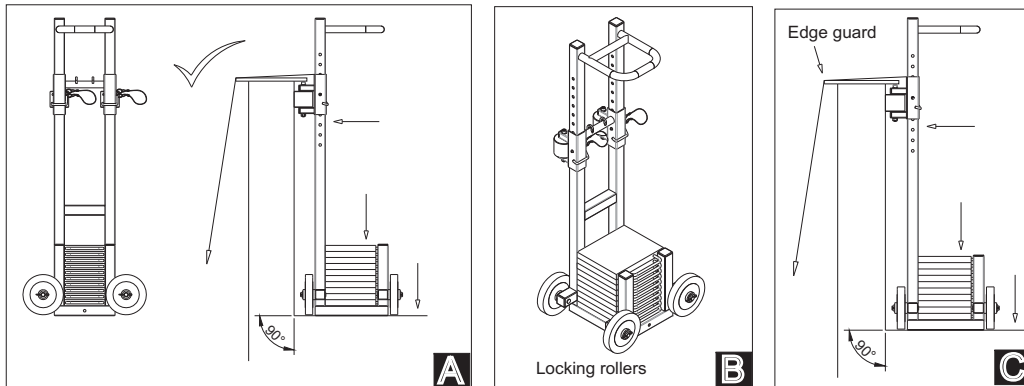
The mobile anchor trolley DW100 shall be withdrawn from use by the competent person.

## INSTALLING THE DEVICE

The DW100 device can be installed only on horizontal surfaces with brickworks, walls or window sills around (e.g. windows). The horizontal surface should be perpendicular to the wall. Always make sure that the device is correctly installed, positioned, touches the ground and the wall evenly.

**ALWAYS USE ALL 10 WEIGHTS DELIVERED!!!**

Minimum static strength of a structural anchor point on which the DW100 device is supported must be 13kN. Place the device on an even, flat surface and push against the wall. Position the adjustable rollers directly underneath the window sill in the wall as shown in fig. A. Then, insert all 10 steel weights delivered so as to disable their ejection. Always lock the adjustable roller with both locks by inserting them into corresponding adjustment openings as shown in fig. B. Once the device is installed check visually whether the installation is correct. Connect maximum of two devices suitable to be operated in such way in accordance with EN 353-2, EN358 or EN 360 and instruction manuals for the devices. Use edge guards for textile ropes preventing the rope from wearing against the sill's edge as shown in fig. C.



The device allows for operation only in direction shown in fig. A. It is forbidden to use the device in other directions as shown in fig. D. The DW100 trolley in combination with fall arresters and anchor lanyard AZ 800 for roof works have been tested for usage in the horizontal plane and fall beyond edge in accordance with Directive PPE 89/686/EEC + CNB/P/11.060.

The device can be used at edges such as: steel rolled profiles, wooden beams, rounded sills. Concrete edges rounded to a radius of not less than 0.5 mm should be additionally protected. Sharp concrete or steel edges should be protected by mounting adequate protections.

The DW100 trolley's anchor points for PPE should be connected to a snap hook on fall arrester and then the fall arrester should be connected to anchor lanyard AZ800 cable. Fall arrester's anchor point may be on the same level as the edge, beyond which a fall may occur, or above. The user can move in the horizontal only in the direction as shown in fig. A. Check the amount of free space below the user, taking into account fall distance and type of PPE used.

The user must take into account the risk of injuries when arresting a fall beyond the edge.

Special rescue procedures should be introduced and adequate trainings conducted including possibility of a potential fall beyond the edge.

Before any use of the protective equipment against falls from a height, check whether all devices are properly interconnected and cooperating with no interference, and compliant with valid standards:

- EN 361 - For full body harness;
- EN 354, EN 355, EN 353-1, EN 353-2, EN 360, EN 362 - For fall protection systems
- EN 795 - For anchor points (structural anchor points)
- EN 341 - For rescue equipment

Always include the length of an anchor point in a fall protection system, as this has influence on fall protection distance.!

Pay attention to some elements connected to the device, as these may potentially reduce its strength.

! The DW100 device is designed for protection of two persons.

! Do not use the DW100 device for safeguarding, lifting or lowering of any loads.

! For protection against falls from a height use a fall protection system reducing the braking force impacting the user during fall arresting up to max. 6kN (e.g. energy absorber with lanyard or fall arrester).

## THE ESSENTIAL PRINCIPLES FOR USERS OF PERSONAL PROTECTIVE EQUIPMENT AGAINST FALLS FROM A HEIGHT

- personal protective equipment shall only be used by a person trained and competent in its safe use.
- personal protective equipment must not be used by a person with medical condition that could affect the safety of the equipment user in normal and emergency use.
- a rescue plan shall be in place to deal with any emergencies that could arise during the work.
- being suspended in PPE (e.g. arresting a fall), beware of suspension trauma symptoms.
- to avoid symptoms of suspension trauma, be sure that the proper rescue plan is ready for use. It is recommended to use foot straps.
- it is forbidden to make any alterations or additions to the equipment without the manufacturer's prior written consent.
- any repair shall only be carried out by equipment manufacturer or his certified representative.
- personal protective equipment shall not be used outside its limitations, or for any purpose other than that for which it is intended.
- personal protective equipment should be a personal issue item.
- before use ensure about the compatibility of items of equipment assembled into a fall arrest system. Periodically check connecting and adjusting of the equipment components to avoid accidental loosening or disconnecting of the components.
- it is forbidden to use combinations of items of equipment in which the safe function of any one item is affected by or interferes with the safe function of another.
- before each use of personal protective equipment it is obligatory to carry out a pre-use check of the equipment, to ensure that it is in a serviceable condition and operates correctly before it is used.
- during pre-use check it is necessary to inspect all elements of the equipment in respect of any damages, excessive wear, corrosion, abrasion, cutting or incorrect acting, especially take into consideration:
  - in full body harnesses and belts - buckles, adjusting elements, attaching points, webbings, seams, loops;
  - in energy absorbers - attaching loops, webbing, seams, casing, connectors;
  - in textile lanyards or lifelines or guidelines - rope, loops, thimbles, connectors, adjusting element, splices;
  - in steel lanyards or lifelines or guidelines - cable, wires, clips, ferrules, loops, thimbles, connectors, adjusting elements;
  - in retractable fall arresters - cable or webbing, retractor and brake proper acting, casing, energy absorber, connector;
  - in guided type fall arresters - body of the fall arrester, sliding function, locking gear acting, rivets and screws, connector, energy absorber;
  - in connectors - main body, rivets, gate, locking gear acting.
- after every 12 months of utilization, personal protective equipment must be withdrawn from use to carry out periodical detailed inspection. The periodic inspection must be carried out by a competent person for periodic inspection. The periodic inspection can be carried out also by the manufacturer or his authorized representative.  
In case of some types of the complex equipment e.g. some types of retractable fall arresters the annual inspection can be carried out only by the manufacturer or his authorized representative.
- regular periodic inspections are the essential for equipment maintenance and the safety of the users which depends upon the continued efficiency and durability of the equipment.
- during periodic inspection it is necessary to check the legibility of the equipment marking.
- it is essential for the safety of the user that if the product is re-sold outside the original country of destination the reseller shall provide instructions for use, for maintenance, for periodic examination and for repair in language of the country in which the product is to be used.
- personal protective equipment must be withdrawn from use immediately when any doubt arise about its condition for safe use and not used again until confirmed in writing by equipment manufacturer or his representative after carried out the detailed inspection.
- personal protective equipment must be withdrawn from use immediately and destroyed (or another procedures shall be introduced according detailed instruction from equipment manual) when it have been used to arrest a fall.