



PROTEKT®

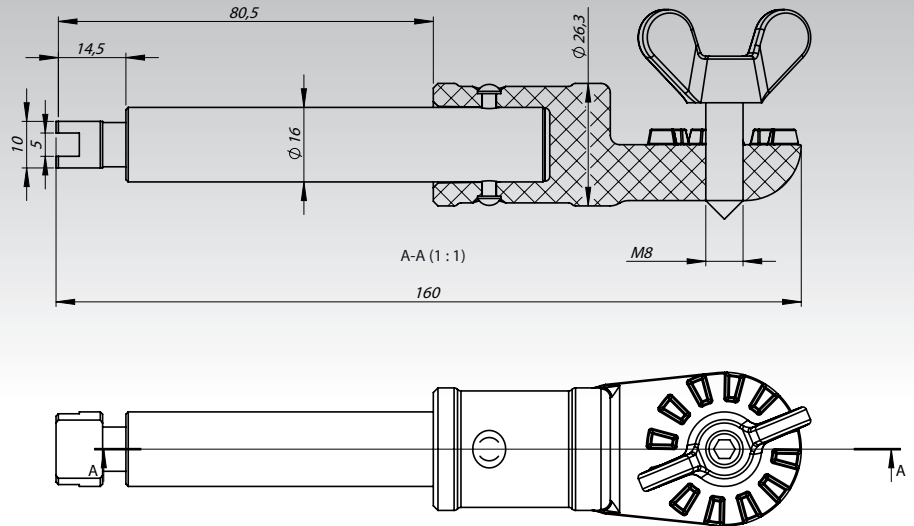
DT 801

Adapter UDI-Euro



PN-EN 60832-2:20210

Adapter to allow Euro-ended work tools to be fitted to the rod with UDI head. Weight: 190g



PROTEKT®

OFFICE - Skromna 6, 93-405 Lodz, POLAND / REGISTERED ADDRESS - PROTEKT Grzegorz Łaszkiwicz Sp. z o.o.

Starorudzka 9, 93-403 Lodz, POLAND / SALES DEPARTMENT Phone +48 42 29-29-500, export@protekt.com.pl, fax +48 42 680-20-93

WAREHOUSE - Gombrowicza 6, 93-405 Lodz, POLAND

WWW.PROTEKT.PL