

PROTEKT ASB GANTRY WITH NEW ENHANCED SUPPORTS

The design changes are due **to the simplification and improvement**. Both versions of the supports have identical functional and technical parameters. The new version of the ASB crane will be released after the previous version is out of stock. The reference numbers of the new parts have also been simplified.

NEW VERSION

SIGNIFICANT ENHANCEMENTS

CE
EN 13001
EN 15011
EN 795/B:2012
CEN/TS 16415/B:2013



WORKING LOAD: **1,5-3,5 tons**
FALL PROTECTION: **5 users**
BEAM LENGTH: **2 - 7 m**
HEIGHT: **1,6 - 6,4 m**



Made
in Poland

PROTEKT
ul. Starorudzka 9
93-403 Łódź
POLAND
export@protekt.com.pl

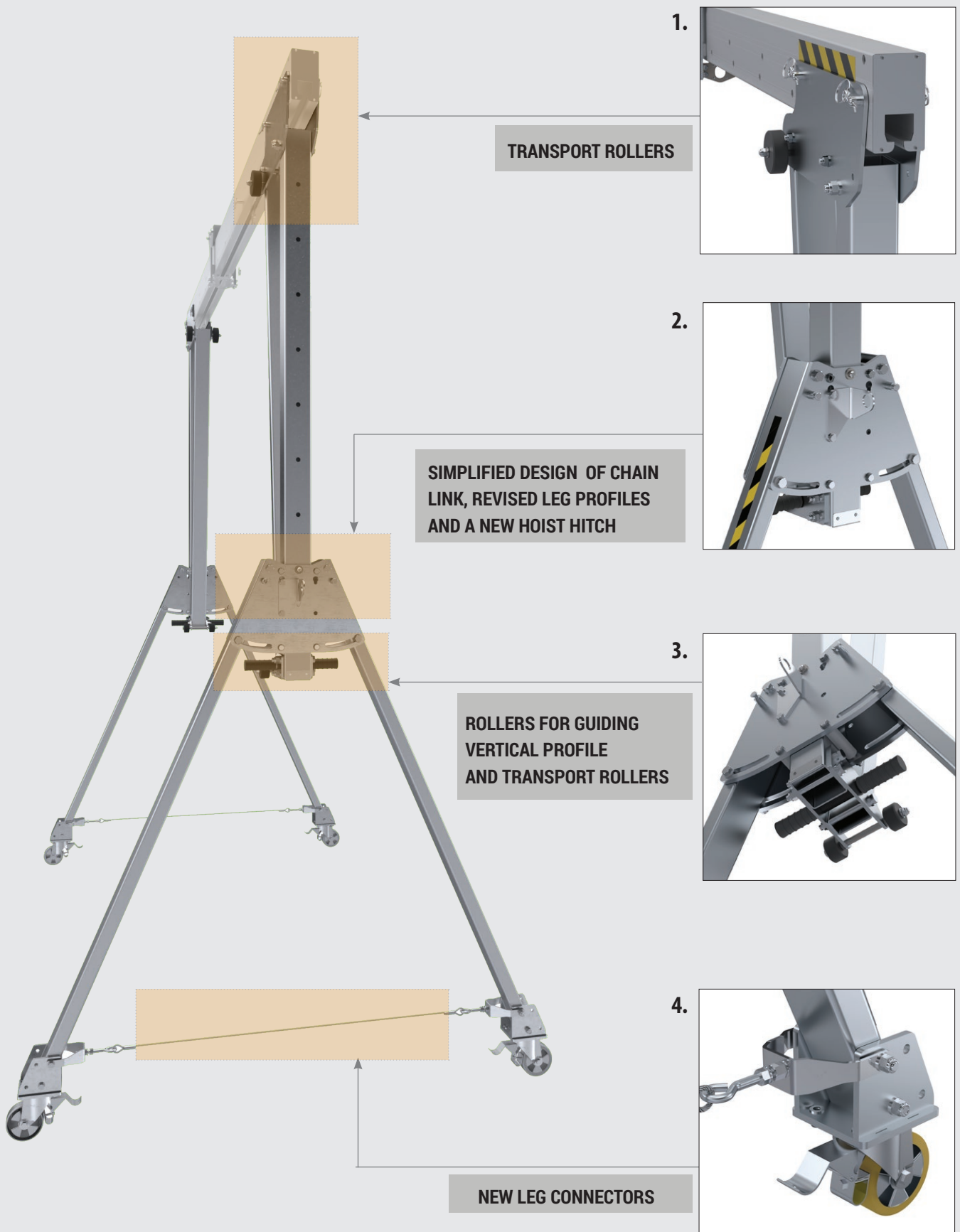
PROTEKT[®]

WWW.PROTEKT.COM.PL



+48 42 29-29-500
+48 42 680-20-93

CHANGES TO ASB CRANE SUPPORT DESIGN

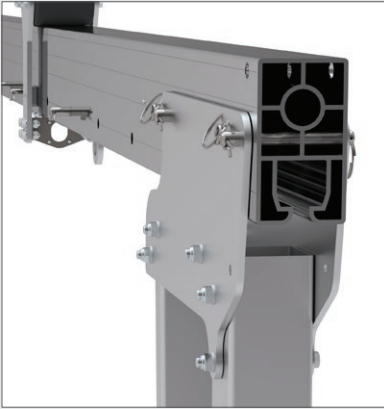


OLD SUPPORT

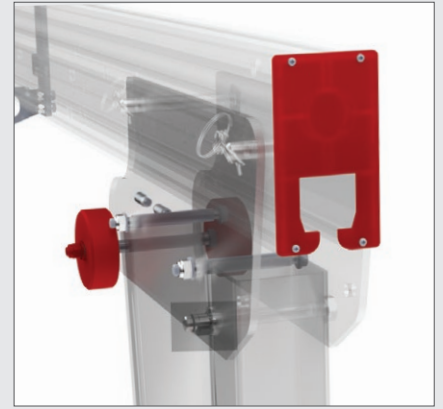
changes

NEW SUPPORT

1.



Adding rollers in the upper part of the support for easier transport (ASB000-A01-140).



2.



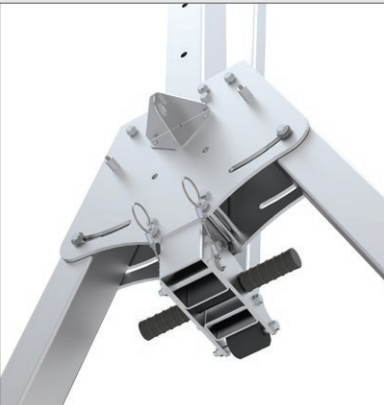
Simplification of the structure of the central link (reduction of the number of welded elements).

New hook (ASB000-A01-150) for chain hoist.

The **new legs have a pin holes compatible with the old version** of the central link (distance between the legs' mounting holes: 280mm). The old legs do not fit the new central link (distance between mounting holes: 200mm in old version).



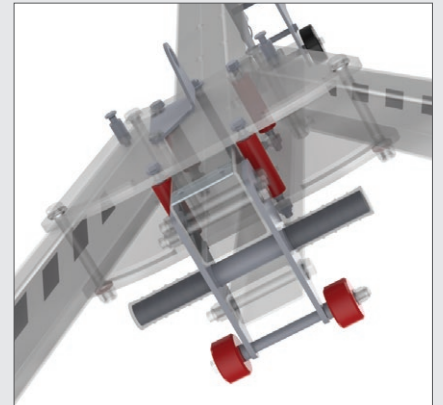
3.



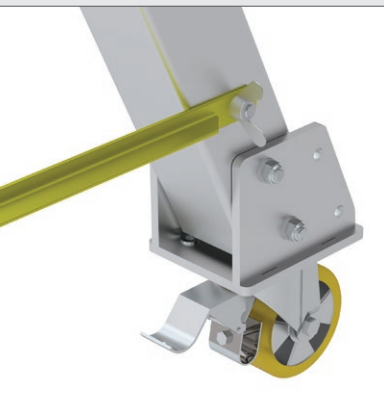
Guiding the vertical profile on **integrated polyamide guides** instead of stainless ones (old version).

Removal of two lashing lines to the hook of the chain hoist and inserting the **edge protection** of the lower part of the vertical profile.

Wide, double **transport roller** at the bottom of the support for better stabilization during transport.



4.



Change of the leg connector made of a flat bar to a **steel cable**. Eliminate bends and detachable parts. The new version of the leg is compatible with both types of leg connectors. The steel cable **can be hidden** inside the vertical profile for transport.



PROTEKT

ul. Starorudzka 9

93-403 Łódź

POLAND

export@protekt.com.pl

PROTEKT[®]

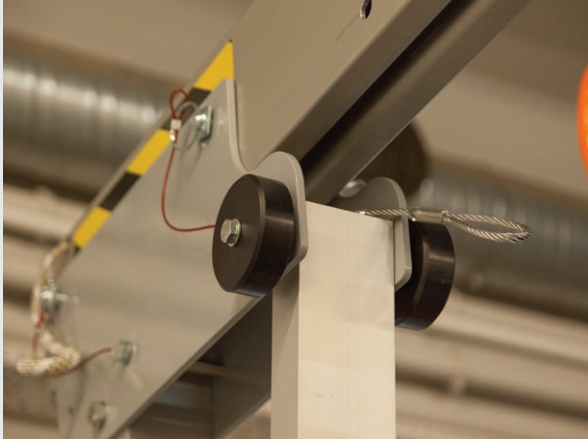
WWW.PROTEKT.COM.PL



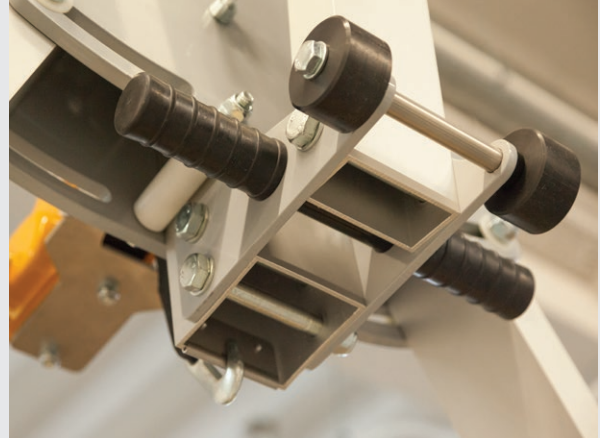
+48 42 29-29-500

+48 42 680-20-93

NEW SUPPORT



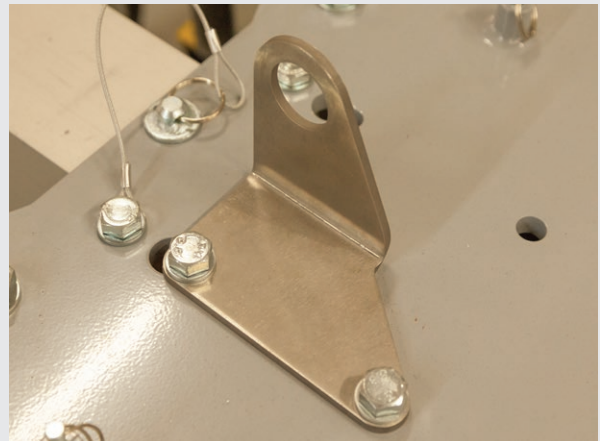
Upper part of the support (**rollers**).



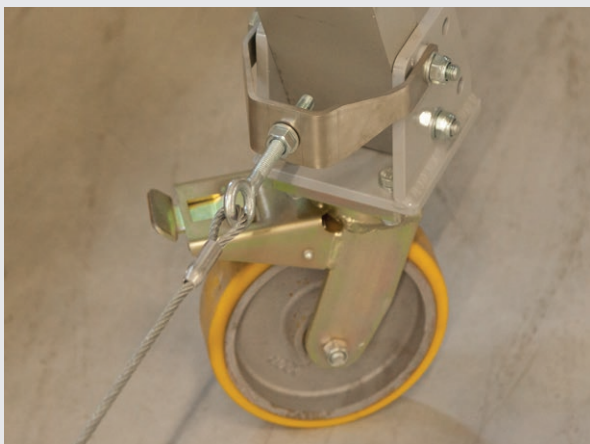
Guiding the vertical profile.



Simplification of the structure of the central link.



New hook (ASB000-A01-150) for chain hoist



Change of the **leg connector** made of a flat bar to a steel cable.



Simplifying the design of the hoist to the support (product ordered separately). **Complete elimination of welded parts.**
Easier installation.