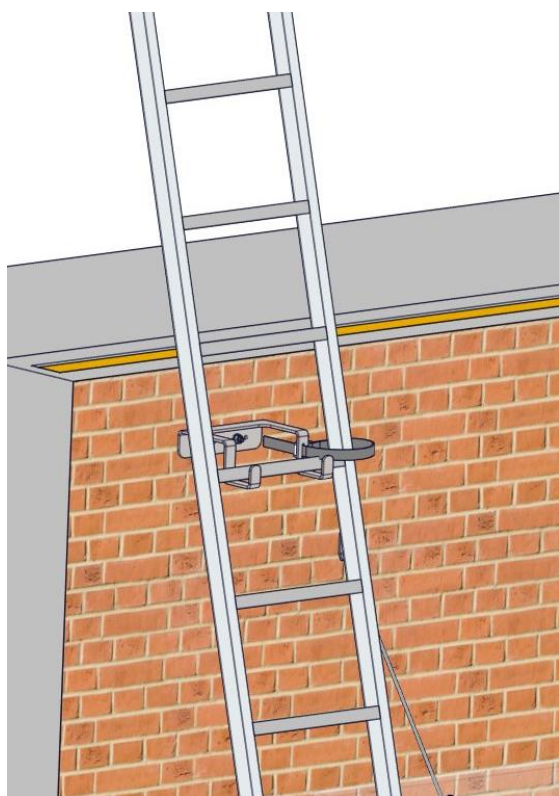


Universal ladder holders

DS810,
DS811,
DS812

TABLE OF CONTENTS:

1. General	1
2. Overall dimensions of holders	1
3. Time of usage	2
4. Conditions of use.....	2
5. Correct conditions of selection of ladder length.....	2
6. Installation	3
7. Warranty	3



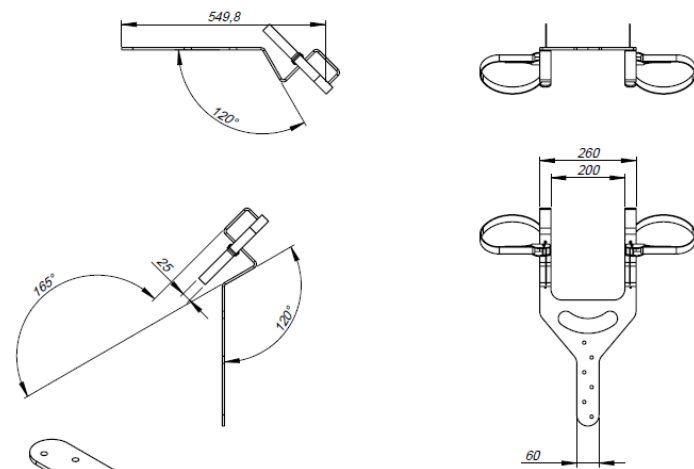
1. General

Ladder holders DS810, DS811 and DS812 are designed for safe and stable positioning of free-standing ladders when used frequently.

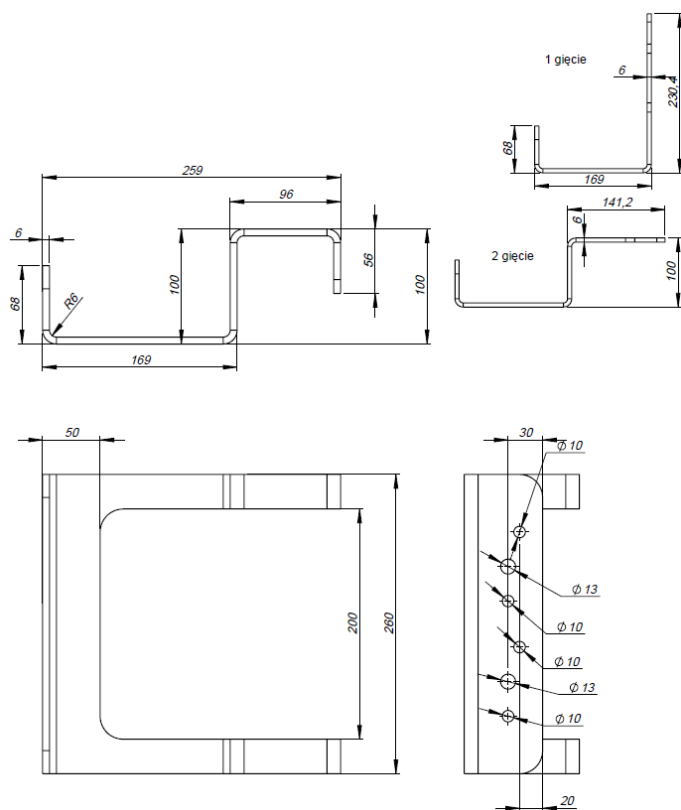
The holders are equipped with fastening straps which protect the ladder against sliding, falling off or overturning, e.g. due to weather conditions.

2. Overall dimensions of holders

a)



b)



1 gięcie - 1st bend

2 gięcie - 2nd bend

c)

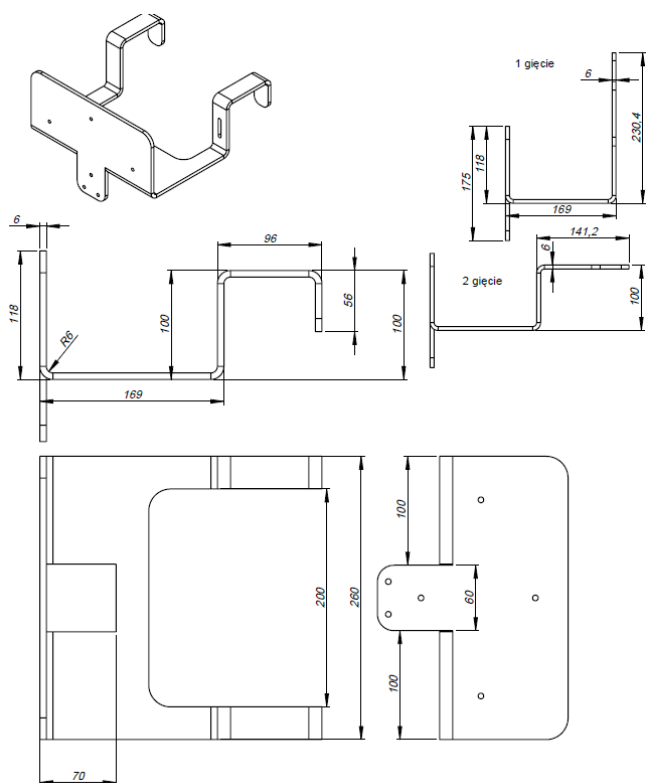


Figure 1. General dimensions

- a) DS810
- b) DS811
- c) DS812

3. Time of usage

Maximum time of usage of correctly operating device is unlimited.

The device must be withdrawn from use immediately and destroyed if it has been used to arrest a fall or there are any doubts concerning its function or integrity.

NOTE: Maximum time of usage of the device depends on intensity and environment of use. If the device is used in heavy conditions, being exposed to frequent contact with water, sharp edges, corrosive substances, extreme temperatures, it may be necessary to withdraw the device after only one use.

4. Conditions of use

Before and after each use of the system visually check the holder for its integrity and condition of fastening straps.

If any defect or lack of integrity is found, do not use the point.

If any doubts arise as for the use of the equipment, please contact the manufacturer and never repair the equipment on your own!

When using the points, pay special attention to risks affecting operation of the protective equipment or the user's safety, and in particular to bending, twisting, influence of extreme temperatures, equipment damage, adverse environmental factors, chemical substances and contamination.

Neither modify, repair components of the system nor replace them with non-original spare parts.

5. Correct conditions of selection of ladder length

The holder should be installed so a free-standing ladder is stable, which is imperative.

$$\text{Ladder length [m]} = (H + 1.0 \text{ m}) * 1.05$$

H - height of installation of the holder from the ground

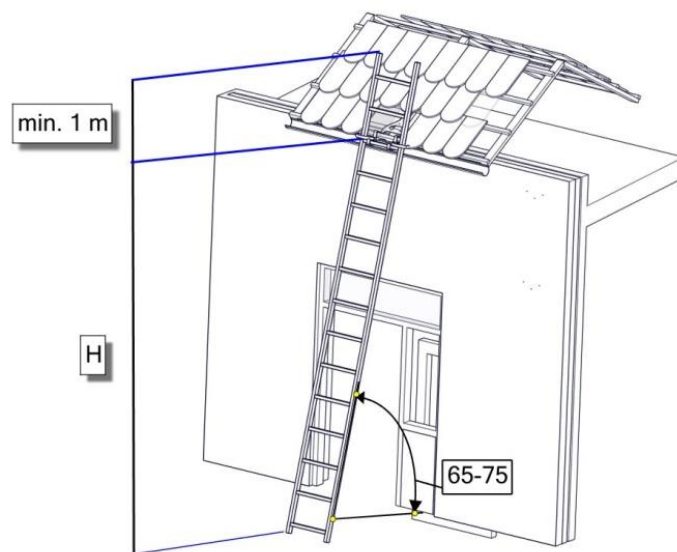


Figure 2. Correct positioning of a single ladder

6. Installation

Holders should be installed on a stable wall structure or a rafter framing.

Holders have fixing holes.

Use fixing holes to select a proper fastening system according to the substrate on which fastening is to be effected.

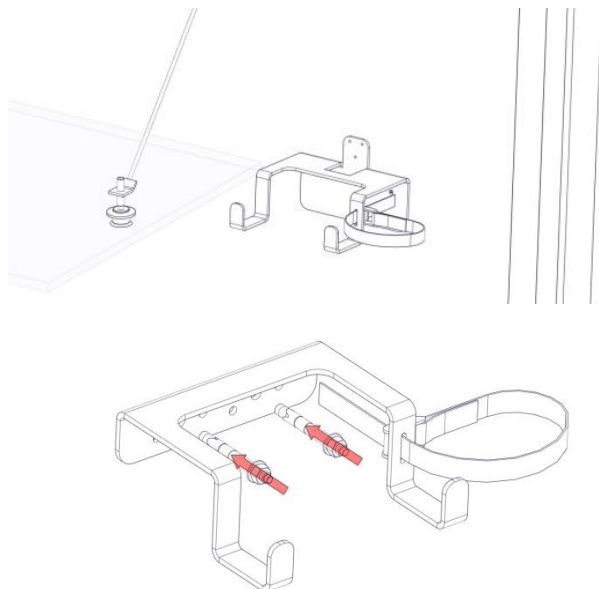


Figure 3. Installation of holders on walls

Once a ladder leans against the wall, put the strap with adjustment around ladder side surface profiles and tighten it Figure 4.

Secure the ladder against uncontrolled movement and falling out of the grip.

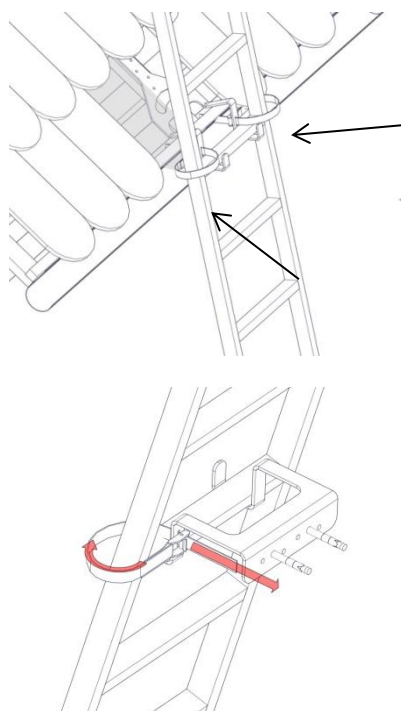


Figure 4. Installation and tightening of fastening straps

If holder DS810 is installed on a wooden structure:

- minimum diameter of a screw is 8 mm (not included)
- number of screws – 4 pcs.
- anchoring depth – min. 40 mm

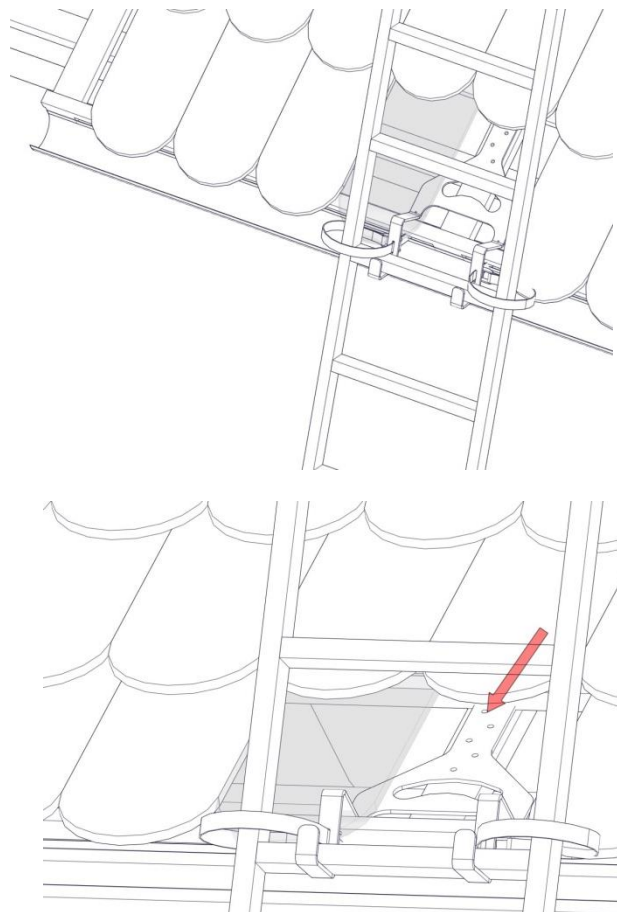


Figure 5. Installation of holder DS810 on wooden roof

7. Warranty

The manufacturer grants a warranty for 12 months from the date of purchase of the device. If a defect is found in any part, the warranty and guarantee period for this part is extended by the time of repairs and effective removal of the defect found.

The warranty covers:

- Defects in material,
- Defects in workmanship,
- Anti-corrosion coating defects

In order to keep the warranty, it is necessary to follow procedures of periodic inspections specified in item 4 of the Instruction manual.