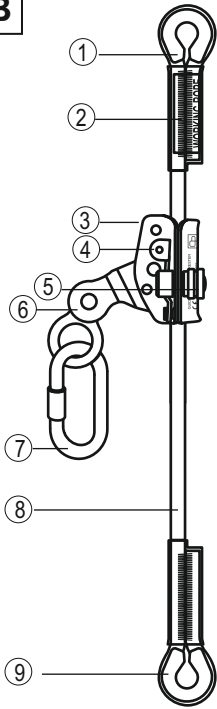


A**PROTEKT®**
CE 0082

EN 353-2:2002

Rope grab ref. number: AC 012

Working rope ref. number: AC 100 XX

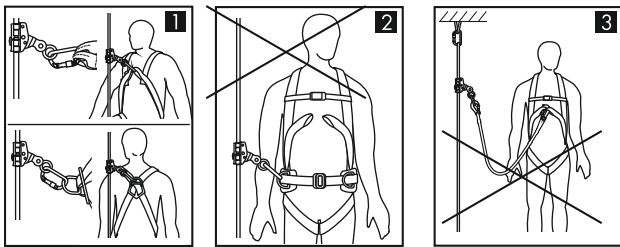
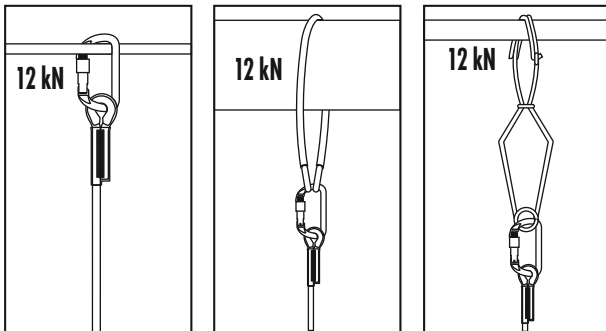
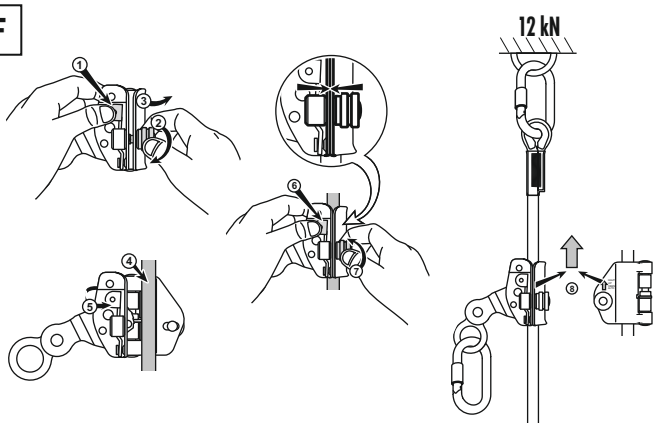
GB GUIDED-TYPE FALL ARRESTER ON FLEXIBLE ANCHORAGE LINE**B****C**

- ① WORKING ROPE
- ② AC 100 XX*
- ⑪ DIAMETER: $\varnothing 14$ mm
- ⑫ LENGTH: XX m
- ⑤ Date of manufacture: 02.2020
- ⑥ Serial number: 00001
- ③ EN 353-2:2002
- ④ CE 0082
- ⑩ PROTEKT

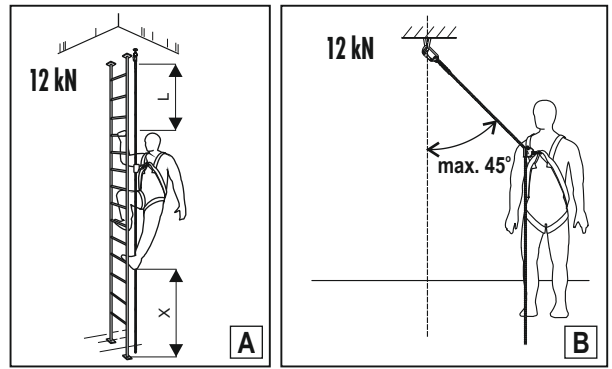
① ② ⑤
 DEVICE TYPE EN 353-2 YEAR: 2020
AC 012
 EN 353-2:2002 **CE 0082**

USE ON ROPES $\varnothing 14$ mm
 USE ONLY WITH CONNECTOR MAX. 130 mm

③ ⑧ ④ ⑨ ⑦

D**E****F****G**

Length of the rope over the worker [m] - L	10	20	30	40	50
Free distance below the working surface [m] - X	3,2	4,60	6,00	7,40	8,80



GB - NOTICE: Read and fully understand these instructions before using this equipment.

A. DESCRIPTION

AC 012 is a guided-type fall arrester device on flexible anchorage guide.

The rope grab is sliding on $\varnothing 14$ mm polyester rope.

AC 012 is a component of personal protective equipment against falls from a height. AC 012 guided-type fall arrester complies with EN 353-2.

The AC 012 is the protection for the one person only.

BASIC EQUIPMENT

- Openable rope grab made of zinc plated steel.
- Connector class B (certified according EN 362). The maximal length of the connector which can be used with AC012 rope grab is 130 mm.
- Working rope ($\varnothing 14$ mm kernmantle polyester). The rope is ended with sewn loops equipped with thimbles.

Using the AC 012 fall arrester in connection with fall arrest system must be compatible with use instructions of the fall arrest systems and obligatory standards:

- EN361 - for full body harness;
- EN362 - for connectors
- EN795 - for anchorages
- EN358 - for work positioning systems.

B. DESCRIPTION

1. top end of the working rope (the loop with the thimble)
2. identity label of the working rope
3. rope grab
4. open/close button
5. screw bolt
6. locking lever
7. class B connector
8. working rope $\varnothing 14$ mm
9. bottom end of the working rope (the loop with the thimble)

C. MEANING OF THE MARKING

1. name (type) of the device.
2. reference number
3. European standard (number/year).
4. CE marking and number of a notified body controlling manufacturing of the equipment
5. year of manufacture.
6. number of manufacturing serie
7. caution: read the manual
8. diameter of the rope which can be used with the rope grab.
9. maximal length of class B connector which can be used with the rope grab.
10. marking of device manufacturer of distributor.
11. diameter of the rope.
12. length of the rope.

D. CONNECTING AC 012 ROPE GRAB TO THE SAFETY HARNESS

- AC 012 rope grab must be connected using class B connector to frontal or dorsal attachment point of full body harness. The full body harness must comply with EN361 - pict. 1.
- it is strictly forbidden to connect AC 012 rope grab to the work positioning belt - pict. 2
- it is forbidden to add any additional element between rope grab's connector and attachment point of the harness - pict. 3.

E. CONNECTING THE WORKING ROPE TO THE STRUCTURAL ANCHOR POINT

Attention! Structural anchor point should have static resistance min. 12 kN. The shape of the structural anchor point should not let self-acting disconnection of the rope. It is recommended to use certified and marked structural anchor point complied with EN 795.

F. INSTALLING THE ROPE GRAB ON THE WORKING ROPE

1. Press the button.
2. Unscrew the bolt.
3. Open the walls.
4. Put the rope inside the bend of the wall.
5. Close the walls.
6. Press the button.
7. Tighten up the screw. The walls should be closed and joined together.
8. Check the proper position of the rope grab on the rope: the arrow located on the device should be directed up to the upper end of the working rope attached to structural anchor point.

G. REQUIRED FREE DISTANCE BELOW WORKING LEVEL

- structural anchor point to which will be connected working rope should be situated above working position and should have static resistance min. 12kN. Free distance below the working surface depends on the length of the working rope over the worker - see the table and drawing A.
- during horizontal moving of the worker, the working rope deflection from the vertical line up to 45° is allowed - see the drawing B.
- it is necessary to keep minimal clearance of 3,2 m below the feet of the user to avoid collision with the ground or any construction in case of fall arresting. For the first meters the user may not be protected against hitting the ground and extra care should be taken when ascending or descending.

H. PERIODIC INSPECTIONS

Device must be inspected at least once every 12 months from the date of first use. Periodic inspections must only be carried out by a competent person who has the knowledge and training required for personal protective equipment periodic inspections. Depending upon the type and environment of work, inspections may be needed to be carried out more frequently than once every 12 months. Every periodic inspection must be recorded in the Identity Card of the equipment.

I. MAXIMUM LIFESPAN OF THE EQUIPMENT

The maximum lifespan of the device is 10 years from the date of manufacture.

