

PARAMETERS

Working Load Limit (WLL) for lifting loads	500kg
Working Load Limit (WLL) for personal protection	140kg
Personal protection at the same time	3 people
weight (Pillar + Jib + Connector + Jib Pulley)	36,7kg

DESCRIPTION

PAD - Portable Aluminium Davit Arm System is lightweight, fully modular lifting and lowering device. Can be used for lifting loads up to 500kg (indicated on Jib) or for personal protection up to three people at the same time or for personal rescue operations using RUP502-U / CRW200 rescue lifting devices (up to 140kg). PAD device is made of reinforced anodized/powder-painted aluminium. Bracket #1 made of powder painted steel. Brackets #2 and #3 made of stainless steel.

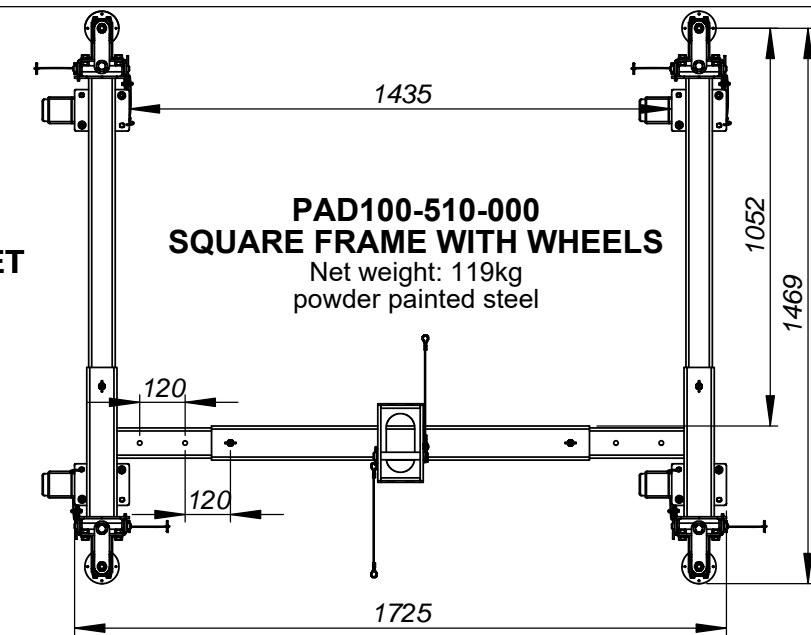
**REFERENCE NUMBER FOR PAD SET
PAD"AAA"-"HHH"-"LLL"**

where:
PAD - Type of Davit device

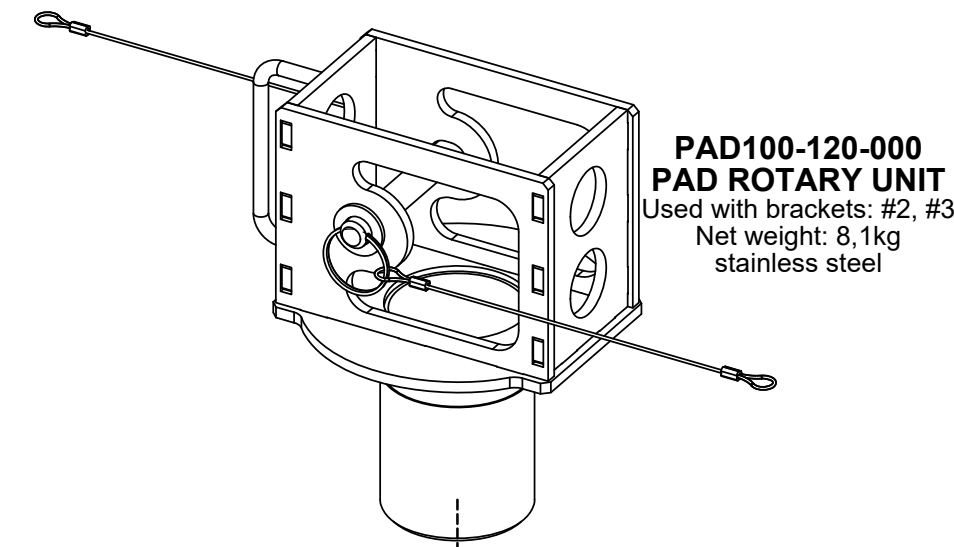
"AAA" - Bracket
001 - bracket #1
002 - bracket #2
003 - bracket #3

"HHH" - Pillar height [cm]
(CONSTANS = 120)

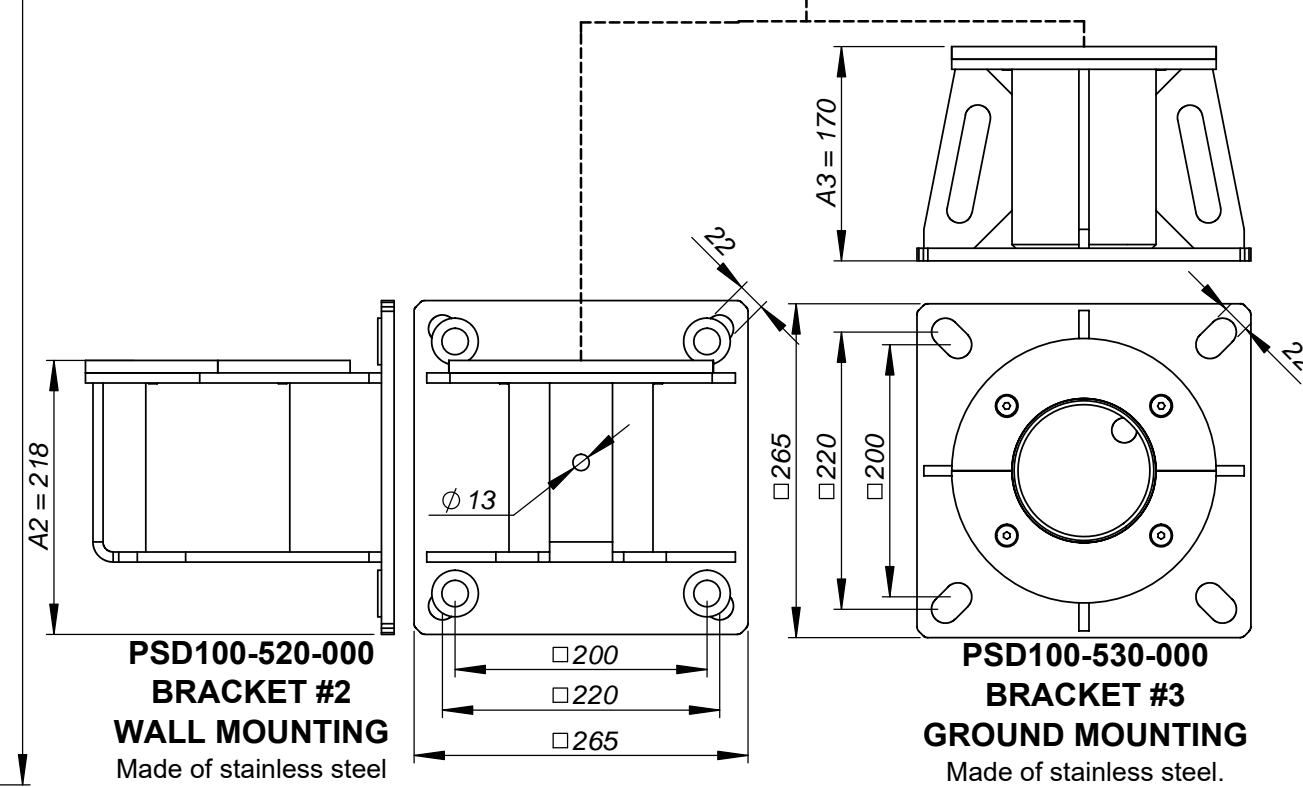
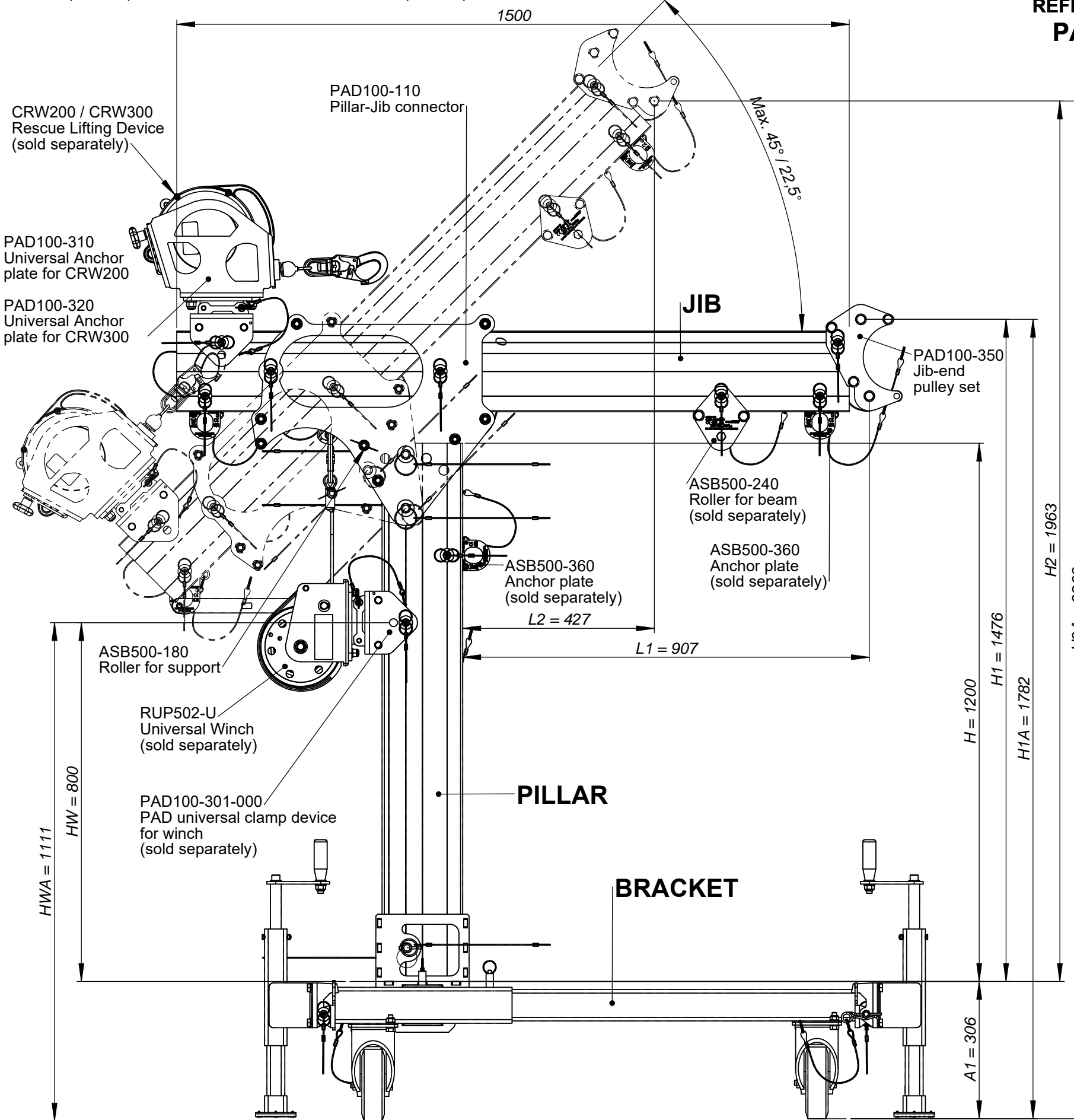
"LLL" - JIB lenght [cm]
(CONSTANS = 150)



**PAD100-510-000
SQUARE FRAME WITH WHEELS**
Net weight: 119kg
powder painted steel



**PAD100-120-000
PAD ROTARY UNIT**
Used with brackets: #2, #3
Net weight: 8,1kg
stainless steel



**PSD100-520-000
BRACKET #2
WALL MOUNTING**
Made of stainless steel
Use with M20 anchor bolts.
Net weight: 10,7kg

**PSD100-530-000
BRACKET #3
GROUND MOUNTING**
Made of stainless steel.
Use with M20 anchor bolts.
Net weight: 11,5kg

CONF. "PAD-001-120-150" - PAD ARM + BRACKET #1