



# PROTEKT®

# HL 700

NEW

## Universal Safety Post for trapezoidal sheet metal and concrete



Made in Poland

EN795: 2012 typ A  
CEN/TS 16415:2013

**STATIC STRENGTH**  
**14 kN**

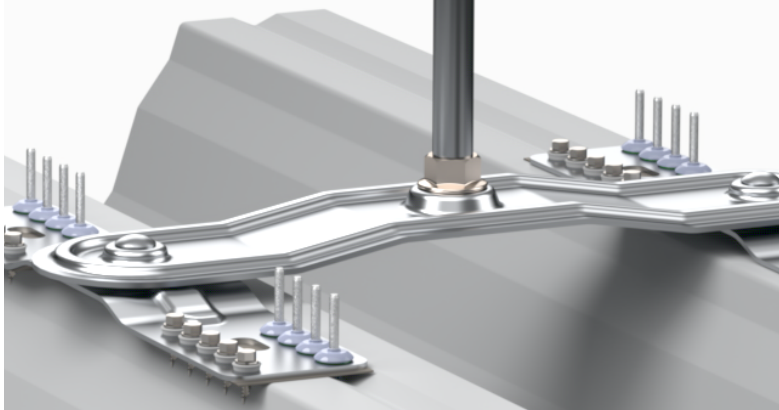
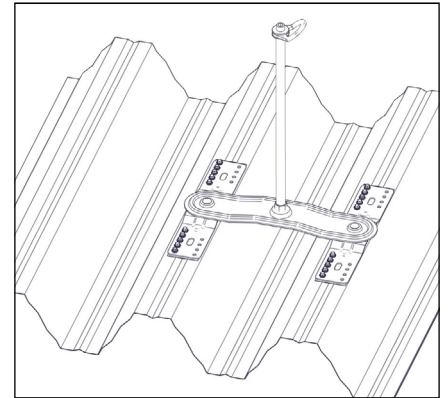
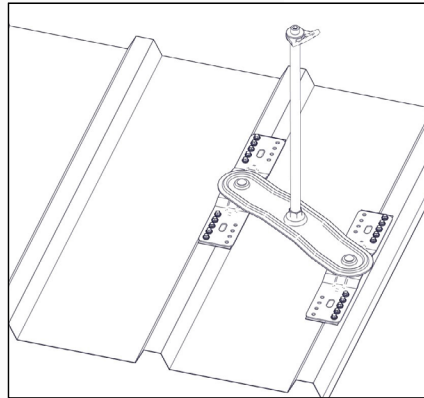
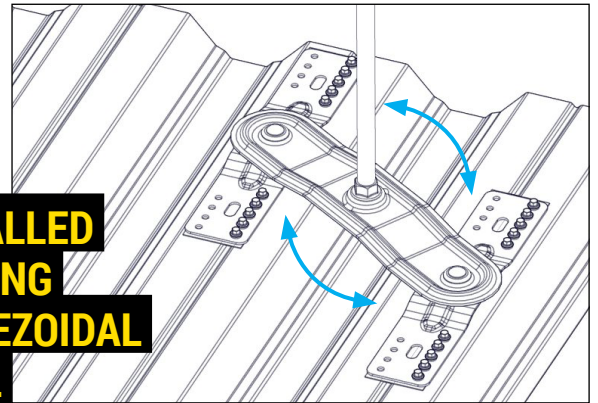


**SECURITY FOR 3 USERS AT THE SAME TIME**

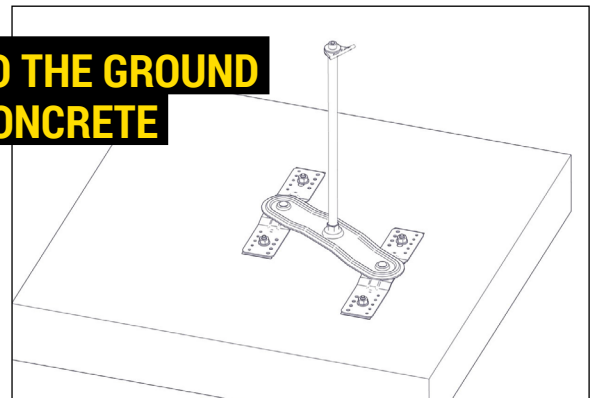
**WEIGHT OF THE SET**  
**3,5 kg**



**CAN BE INSTALLED AT ANY SPACING OF THE TRAPEZOIDAL SHEET METAL**



**TO THE GROUND CONCRETE**



WWW.PROTEKT.PL

# PROTEKT®

OFFICE - Skromna 6, 93-405 Lodz, POLAND / CORRESPONDENCE ADDRESS - PROTEKT, Starorudzka 9, 93-403 Lodz, POLAND

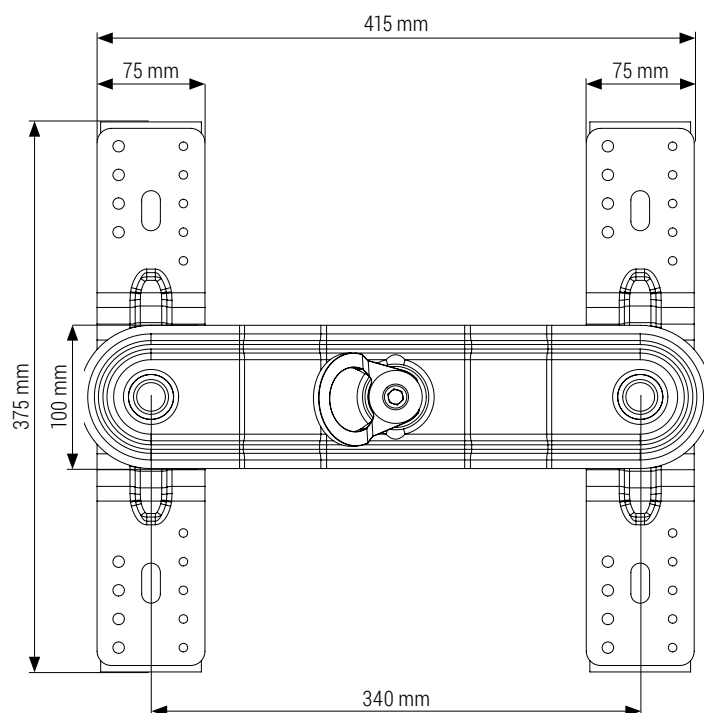
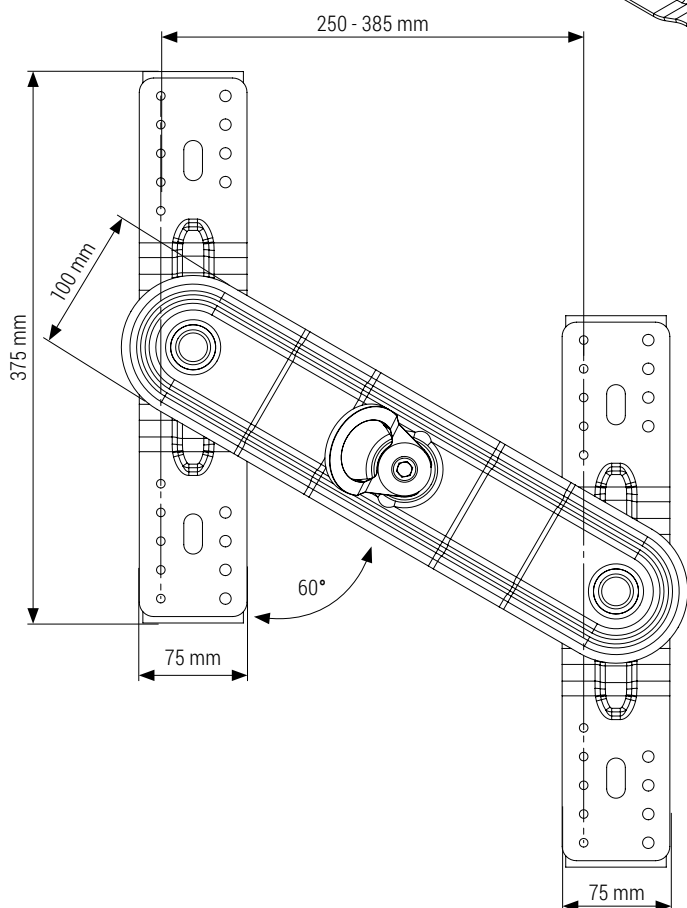
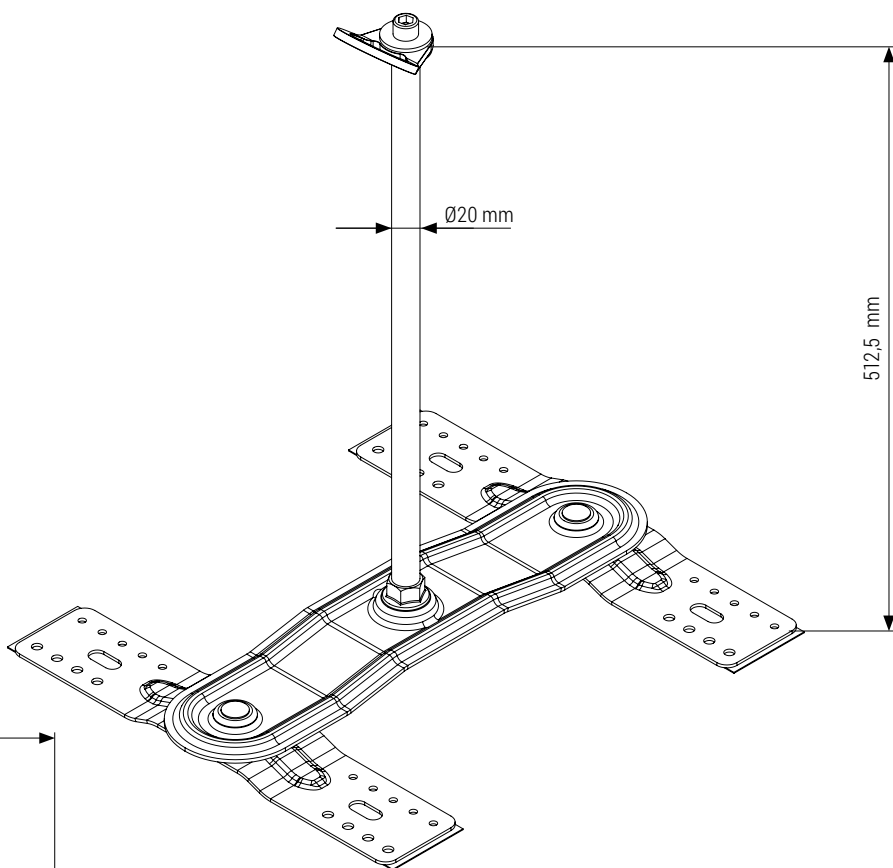
SALES DEPARTMENT Phone +48 42 29-29-500, export@protekt.com.pl, fax +48 42 680-20-93

WAREHOUSE - Gombrowicza 6, 93-405 Lodz, POLAND

# Universal Safety Post HL 700

NEW

**DIMENSIONS**  
**GENERAL**  
**POST**



The HL 700 universal safety post is an anchoring device in accordance with EN795: 2012 type A and CEN / TS / 16415: 2013. The safety post is made of stainless steel for 3 users working simultaneously, with a static strength of min. 14 kN. The post is designed for fastening to both trapezoidal sheets and concrete structures. HL 700 complies with the Regulation of the European Parliament and of the Council (EU) of March 9, 2016 on protection measures 2016/425.

**PROTEKT**

OFFICE - Skromna 6, 93-405 Lodz, POLAND / CORRESPONDENCE ADDRESS - PROTEKT, Starorudzka 9, 93-403 Lodz, POLAND

SALES DEPARTMENT Phone +48 42 29-29-500, export@protekt.com.pl, fax +48 42 680-20-93

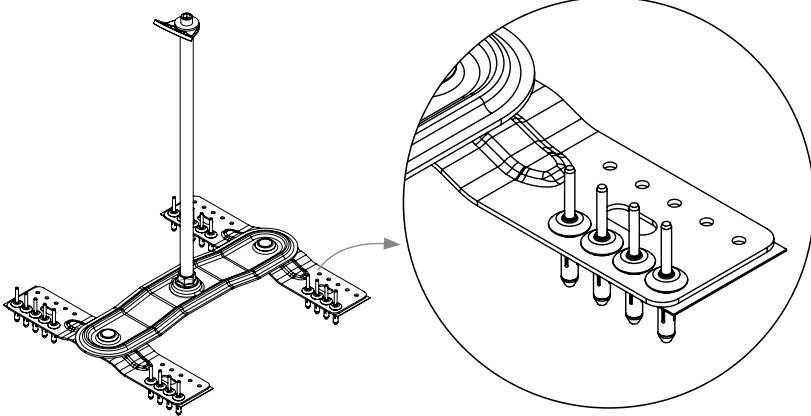
WAREHOUSE - Gombrowicza 6, 93-405 Lodz, POLAND

# Mounting kits HL 700

NEW

REF. NO.: HL 700 102

## FOR SHEET THICKNESS 05 - 0,63 MM

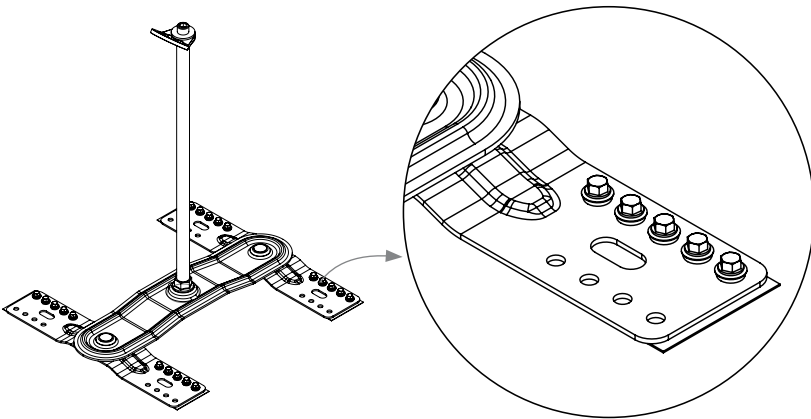


### SET CONTAINS:

- x2 lock bolt M8x20
- x1 anchor rod
- x1 permanent board
- x2 pivot board
- x1 anchor point
- x4 tight blind rivet 8 mm

REF. NO.: HL 700 101

## FOR SHEET THICKER THAN 0,63 MM

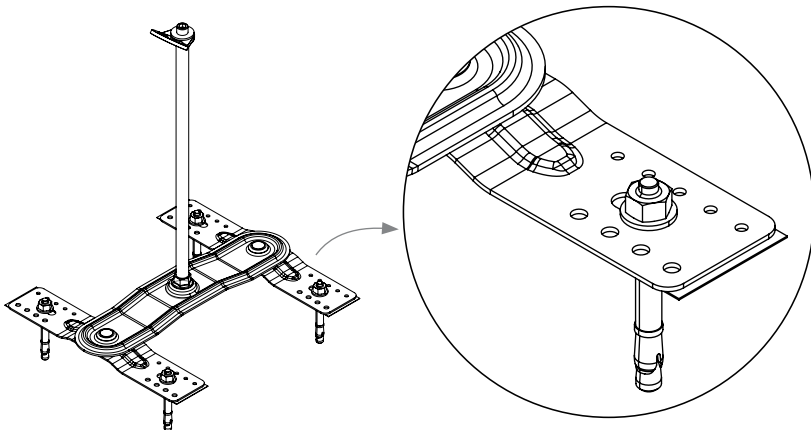


### SET CONTAINS:

- x2 lock bolt M8x20
- x20 screw with seal 5,5x25
- x1 anchor rod
- x1 permanent board
- x2 pivot board
- x1 anchor point

REF. NO.: HL 700 103

## FOR CONCRETE



### SET CONTAINS:

- x2 lock bolt M8x20
- x1 anchor rod
- x1 permanent board
- x2 pivot board
- x1 anchor point
- x4 mechanical anchor HILTI HST2 M12x115/8mm