

TM17

PROTEKT®

Lightweight aluminum safety tripod

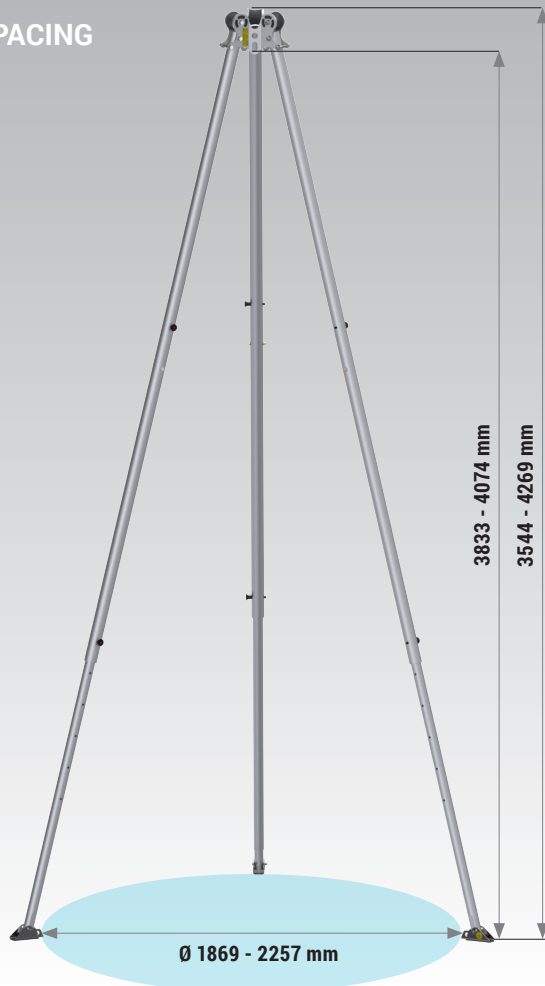
EN 795/B:2012
TS 16415/B:2013



NEW

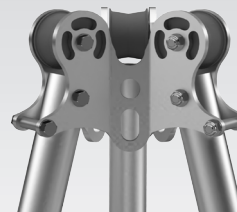


MAX. SPACING

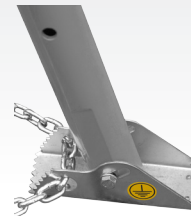


The maximum working height of the tripod is

4 m



The head is made aluminum and has three ball-bearing wheels for guiding the work rope on rescue or lifting devices.



nr kat.: AT013-902

Steel feet have rubber pads for flat surfaces and spiked edges for slippery surfaces.



nr kat.: AT013-908

Automatic locking pin \varnothing 10x60

SPECIAL FEATURES



PROTECTION FOR
MAX. 3 USERS



USE OF THE
DEVICE
UPRIGHT



PROTECTION FOR MAXIMUM
USER'S WEIGHT OF **140 kg**

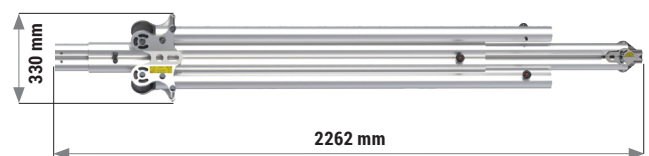


MAXIMUM LOAD
500 kg

PARAMETERS

Material:	aluminum + galvanized steel + polyamide + stainless steel
Height:	1370 - 4269 mm
Diameter of the hole under the tripod:	1093 - 2257 mm
Leg spacing:	923 - 1932 mm
Device weight:	36,95 kg
Transport dimensions:	2262 x 330 x 288 mm

TRANSPORT DIMENSIONS



WWW.PROTEKT.UK

PROTEKT®

CORRESPONDENCE ADDRESS - PROTEKT Grzegorz Laszkiewicz Sp. z o.o. Starorudzka 9, 93-403 Lodz, POLAND

OFFICE / SALE DEPARTMENT - Skromna 6, 93-405 Lodz, POLAND Phone +48 42 29-29-500, export@protekt.com.pl, fax +48 42 680-20-93

WAREHOUSE - Gombrowicza 6, 93-405 Lodz, POLAND

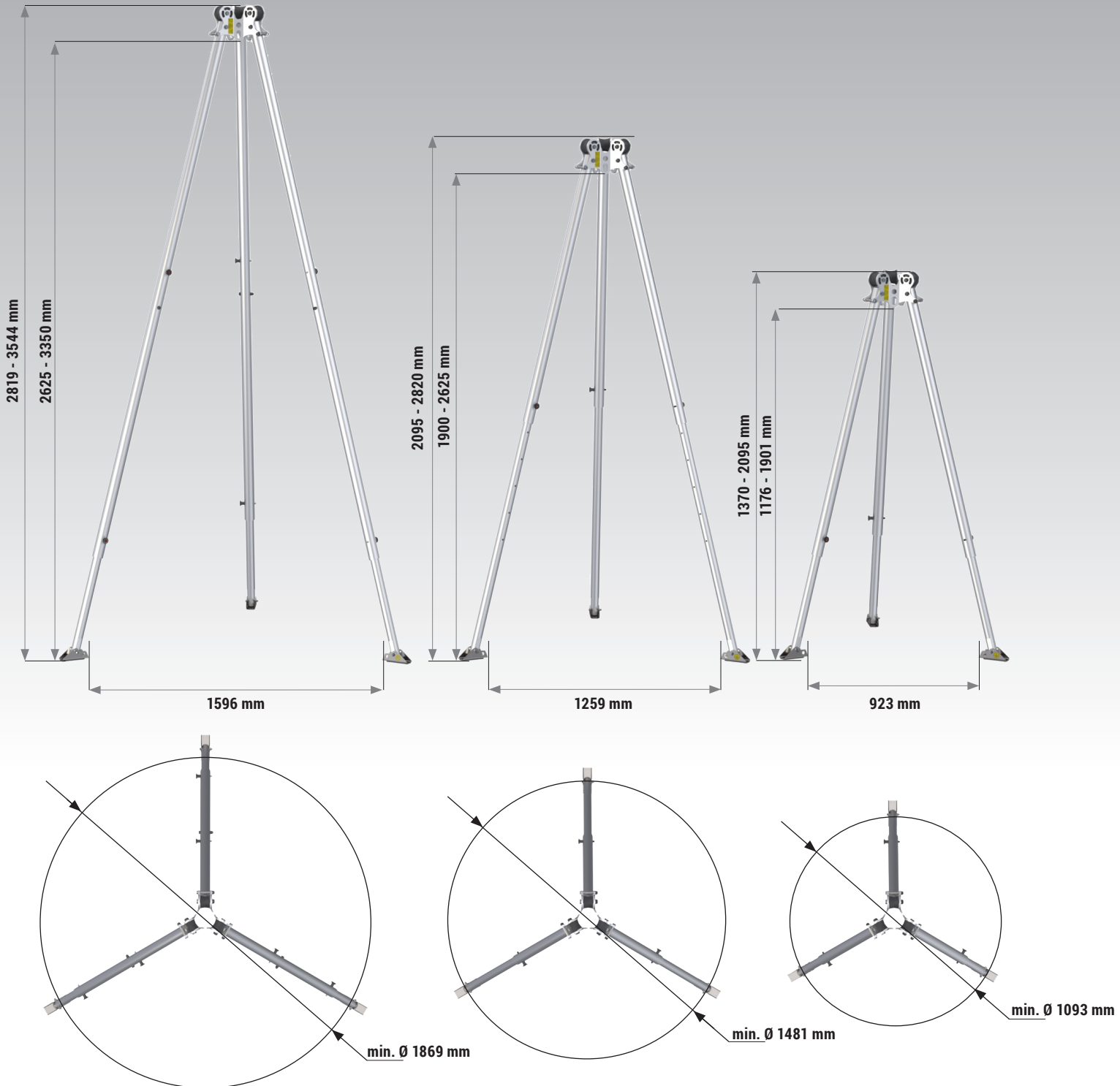
TM17

Lightweight aluminum safety tripod

EN 795/B:2012
TS 16415/B:2013



MIN. SPACING VARIANTS



WWW.PROTEKT.UK

PROTEKT[®]

CORRESPONDENCE ADDRESS - PROTEKT Grzegorz Laszkiewicz Sp. z o.o. Starorudzka 9, 93-403 Lodz, POLAND

OFFICE / SALE DEPARTMENT - Skromna 6, 93-405 Lodz, POLAND Phone +48 42 29-29-500, export@protekt.com.pl, fax +48 42 680-20-93

WAREHOUSE - Gombrowicza 6, 93-405 Lodz, POLAND