

Snap hook

AZ 029	» 5,90	NET PRICE EUR
AZ 029 S	» 7,10	NET PRICE EUR
AZ 029 SI	» 7,40	NET PRICE EUR
AZ 029 SS	» 7,30	NET PRICE EUR
AZ 029 ISOL	» 12,50	NET PRICE EUR



SNAP HOOK AZ 029

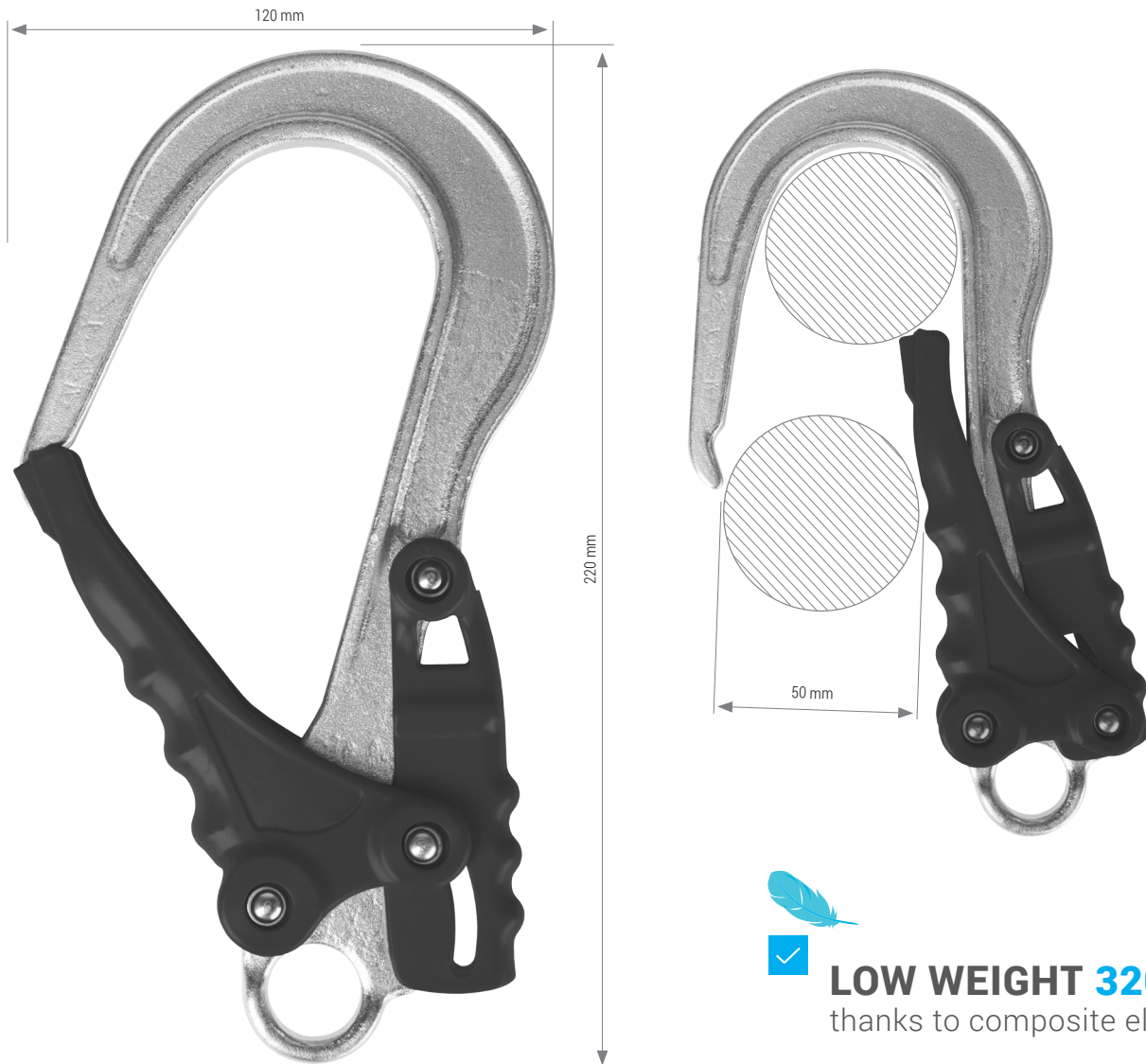
EN362 

Ref. no.: AZ029



**PROTECTION
FOR 1 USER**

Snap hook AZ029 is a component of personal fall protection equipment conforming to EN 362. Snap hook is used for connecting individual components of fall arrest system into a single whole. Snap hook can be an integral part of a component (e.g. lanyard) or a separate component of the system (e.g. as an anchor element of retractable type fall arresters, work ropes, etc.)



LOW WEIGHT 320 g
thanks to composite elements

COLOUR VERSIONS



black
AZ 029 01



red
AZ 029 02



blue
AZ 029 03



orange
AZ 029 04



Hi Vision
AZ 029 05

PARAMETERS

Dimensions:	220 x 120 mm
Opening:	50 mm
Weight:	320 g
Material:	galvanized steel, composite
Static strength:	25 kN

SNAP HOOK WITH LARGE SWIVEL AZ 029 SS

NEW

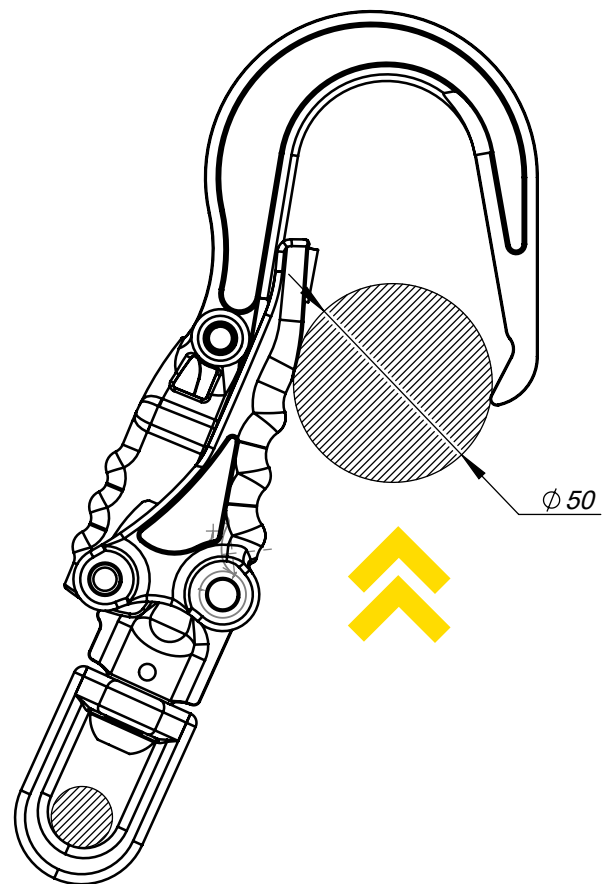
EN362 CE

Ref. no.: AZ029S



PROTECTION
FOR 1 USER

Snap hook AZ029S is a component of personal fall protection equipment conforming to EN 362. Snap hook is used for connecting individual components of fall arrest system into a single whole. Snap hook can be an integral part of a component (e.g. lanyard) or a separate component of the system (e.g. as an anchor element of retractable type fall arresters, work ropes, etc.)



PARAMETERS

Dimensions:	220 x 120 mm
Opening:	50 mm
Material:	galvanized steel, composite
Static strength:	25 kN

REF. NO.:

€ NET PRICE

AT065

72,00

SNAP HOOK WITH LARGE SWIVEL AND FALL INDICATOR **AZ 029 SI**

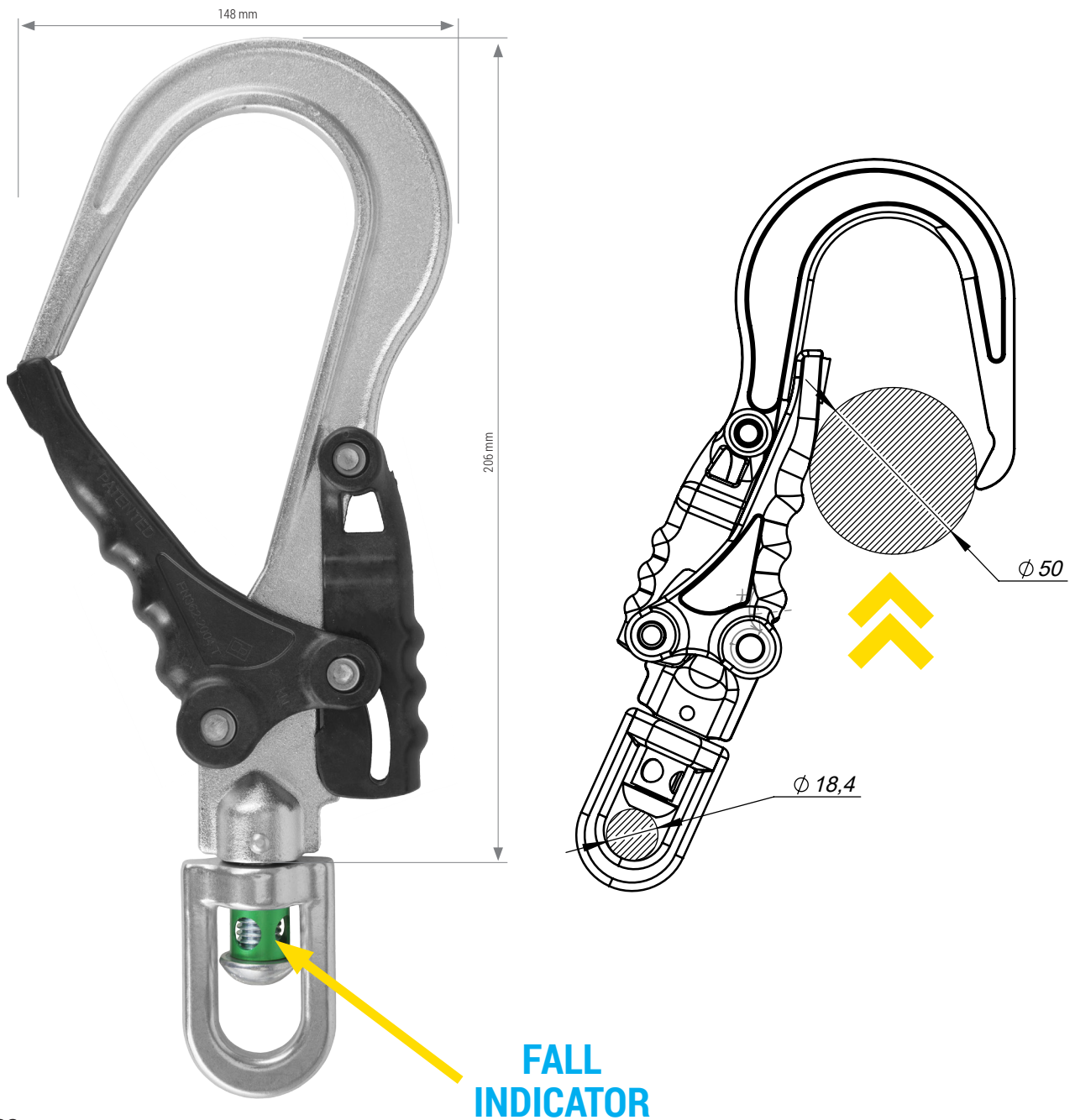
NEW

EN362 CE

Ref. no.: AZ029SI

PROTECTION
FOR 1 USER

Snap hook AZ029SI is a component of personal fall protection equipment conforming to EN 362. Snap hook is used for connecting individual components of fall arrest system into a single whole. Snap hook can be an integral part of a component (e.g. lanyard) or a separate component of the system (e.g. as an anchor element of retractable type fall arresters, work ropes, etc.)



PARAMETERS

Dimensions:	220 x 120 mm
Opening:	50 mm
Material:	galvanized steel, composite
Static strength:	25 kN

SNAP HOOK WITH SMALL SWIVEL AZ 029 S

NEW

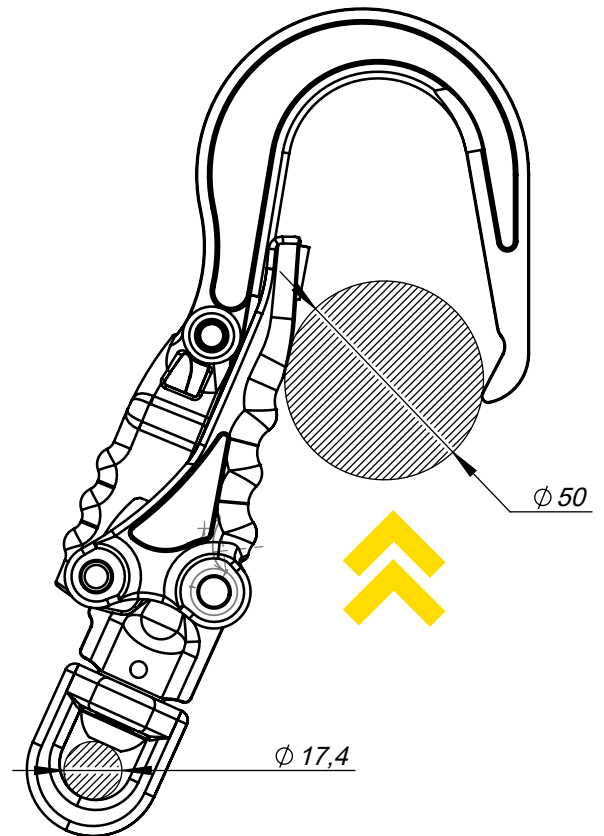
EN362 CE

Ref. no.: AZ029S



PROTECTION
FOR 1 USER

Snap hook AZ029S is a component of personal fall protection equipment conforming to EN 362. Snap hook is used for connecting individual components of fall arrest system into a single whole. Snap hook can be an integral part of a component (e.g. lanyard) or a separate component of the system (e.g. as an anchor element of retractable type fall arresters, work ropes, etc.)



PARAMETERS

Dimensions:	220 x 120 mm
Opening:	50 mm
Material:	galvanized steel, composite
Static strength:	25 kN

INSULATED SNAP HOOK AZ 029 ISOL

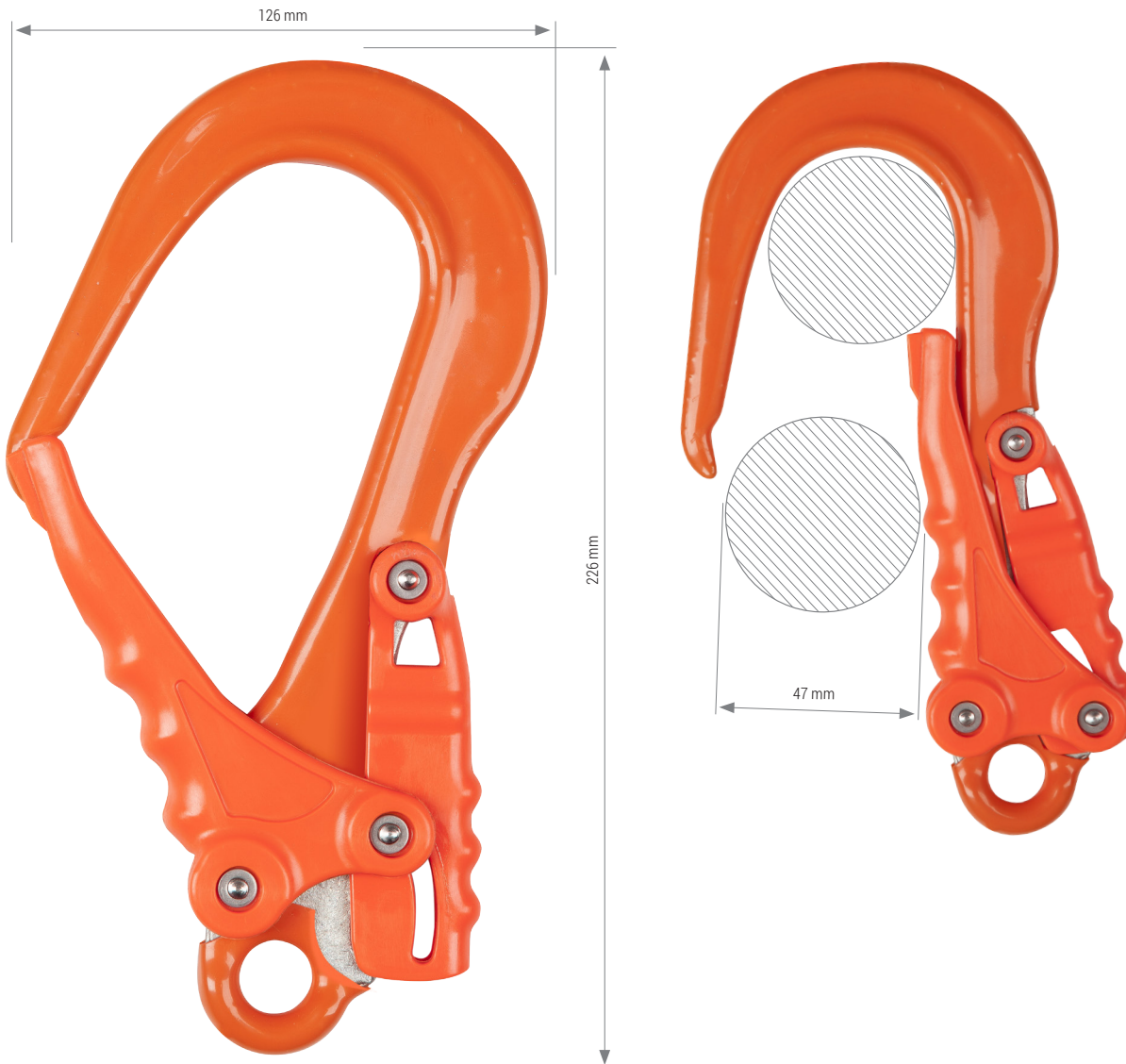
EN362 CE

Ref. No.: AZ029ISOL



PROTECTION
FOR 1 USER

Snap hook AZ029ISOL is a component of personal fall protection equipment conforming to EN 362. Snap hook is used for connecting individual components of fall arrest system into a single whole. Snap hook can be an integral part of a component (e.g. lanyard) or a separate component of the system (e.g. as an anchor element of retractable type fall arresters, work ropes, etc.)



PARAMETERS

Dimensions:	226 x 126 mm
Opening:	50 mm
Weight:	360 g
Material:	galvanized steel, composite
Static strength:	25 kN

SPECIAL FEATURES



PERMITTED TO WORK
IN POTENTIALLY EXPLOSIVE AREAS